



# MEYİS

PASSENGER SEAT COMPONENTS

[www.meyis.com.tr](http://www.meyis.com.tr)



**PRODUCT**  
CATALOGUE





## ABOUT US

Meyis Automotive is one of the leading companies for passenger seat accessories industry based in Bursa - Turkey.

We manufacture passenger seat accessories for city urban buses, railways, coaches, vans and continue to lead the industry with our reliability, quality and customer satisfaction. Since its establishment is in 1994 Meyis Automotive has operated with continuous development and has gained a positive reputation for its quality and reliability. We provide a complete service starting with design development in R&D department to designing and manufacturing molds and other tools in our in-house mouldshop. Then we create prototypes and injection production takes place at our injection machines, which ranges in size and strength. Quality checks and measures are carried out. Once the high and universally accepted standards have to been reached, we ensure our products are delivered 'JIT' to our customers. We work with high technology to produce robust, ergonomic and creative designs using our year's worth of experience to produce top quality plastic products ranging from armrest, plastic urban seats, snack trays, footrests, backrests, handles, trim parts, service sets, magazine nets, city bus handle wraps and emergency hammers. Our robotic and automatic production enables us to achieve high precision when manufacturing plastic seat accessories.

Production at Meyis Automotive is based on the IATF 16949 Quality Standard. Meyis Automotive is also an advocate for personal growth of employees and ensures regular training and social activities are carried out to gain the most accomplished and skilled work team. Our consistent growth and short lead time has allowed us to break local market boundaries and reach out to the international market, allowing us to export to over 25 countries. Meyis Automotive aims to maintain its position in the global market by providing high quality products and exceeding customer service to obtain long-term customer relations.

## OUR VISION

Increased response to changing customer demands, follow new technologies closely. Give back to our employees, customers and the communities to show importance to humanity, environmental values and living standards. We embrace a clear management structure with open mind set and strive to perform activities to become globally recognized and respected supplier and manufacture.

## OUR MISSION

Our mission is to satisfy customers with both our innovative seating products, and our high quality customer service. Meet expectations and demands of customers in the most economical manner and provide innovative style, based on original design when manufacturing plastic products for passenger seats.

## QUALITY POLICY

Constantly evolving the quality system by combining technological developments and follow up reports to assess the current system. Provide employee training onsite and externally. Improve our skills and tolerance towards quality system. Ensuring Mutual Total Quality Management among our team. Ensure customer satisfaction with all our customers. Implement production methods that will have any hazardous effects on the environment.

# CERTIFICATE

# INDEX



30005000	Tip Up Seat .....	6
30006000	Urban Bus Seat 370mm .....	7
30003000	Urban Bus Seat 420mm .....	8
30002000	Urban Bus Seat 440mm .....	9
30004000	Jumbo Seat 680mm .....	10
60000080	Console .....	12
40000009	Driver Armrest .....	13
60000001	Soft Armrest .....	14
60000027	Kayra Armrest .....	15
30000070	Galaksi(2) M Armrest .....	16
30000066	Galaksi (1) L Armrest .....	17
30000024	ERN Armrest .....	18
30000256	AKD Armrest .....	19
30000076	Eko Armrest.....	20
30000011	Yıldız Armrest .....	21
60000019	Hostes Guide Armrest .....	22
30000318	Tuğra Guide Armrest .....	23
30000168	Slide Able Table .....	24
30000407	Angle Adjustable Table .....	25
30000095	Airplane Table .....	26
30000136	PPC Table .....	27
30000026	Esila Table .....	28
30000399	Korhan Table .....	29
30000217	Magazine Net 325mm .....	30
30000222	Rehes Magazine Net .....	31
30000212	Magazine Net Oval Pls .....	32
40000035	Magazine Net .....	33
40000034	Magazine Net Oval .....	34
40000041	Side Metal Sheet .....	35
30000128	Recliner Lever .....	36
30000129	Plastic Recliner Lever .....	37
40000006	Gas Spring .....	38
30000403	Plastic Footrest 3p .....	39
30000154	Plastic Footrest .....	40
40000010	Cushion Plastic .....	41
30000584	Window Side Plastic .....	42
30000238	YKSL Backrest Plastic .....	43
50200026	Service Unit .....	44
30000294	Service Unit Cover .....	45
30000240	YKSL Bottom Plastic .....	46
30000185	Soft Bottom Plastic .....	47
30000044	New Emergency Hammer .....	48
30000099	Classic Emergency Hammer .....	49
30000100	Millenium Emergency Hammer .....	50
30000117	Wastebin .....	51
60300007	AKD Vip Handle .....	52
30000103	Grab Handle .....	53
30000125	Citybus Grab Handle .....	54
30000424	Cup Holder .....	55

## URBAN BUS SEAT

# 30005000

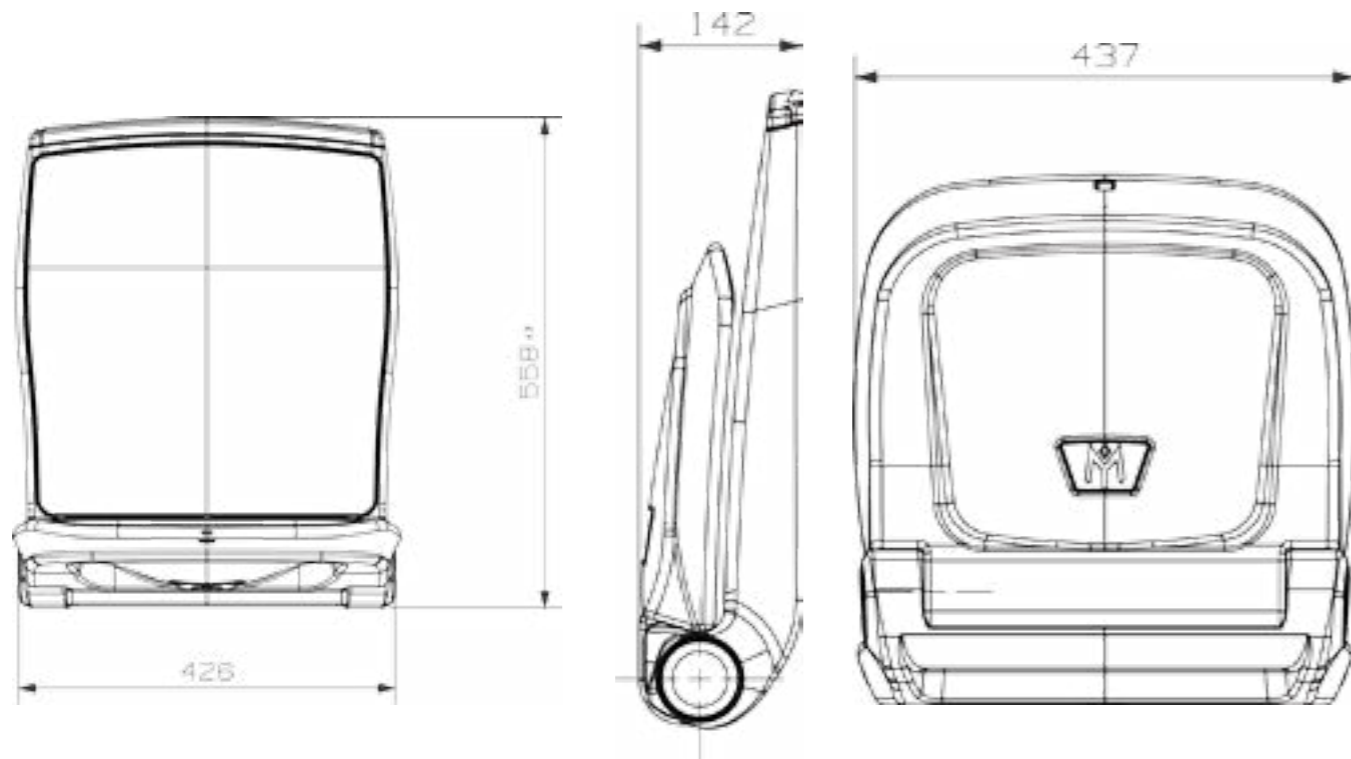


### Specifications

Stock No:	30005000
Stock Name:	Tip Up Seat
Materials:	PA%30
Weight:	7250 gr
Options:	Colors, upholstery
Homologated:	ECE-R118 - FMVSS302 CMVSS302 UIC564-2 - EN 45545

### Technical Features

All the plastic materials in this parts are in conformity with the specifications and REACH. All the physical loading tests are done. In design we focused on creating robust, ergonomic, innovative, compact plastic seat. The seat is designed customizable. The tip-tip seat has passed 1.000.000 cycle test and 350 kg static loading test successfully.



## URBAN BUS SEAT

# 30006000

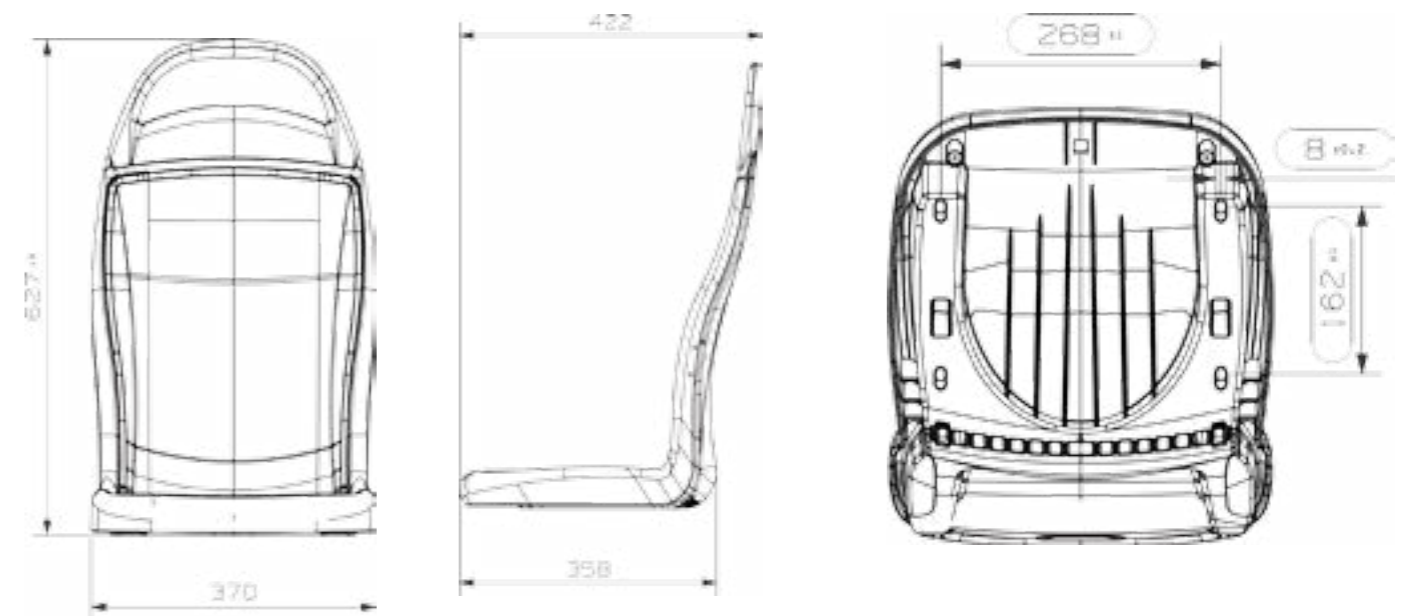


### Specifications

Stock No:	30006000
Stock Name:	Urban Bus Seat 370mm
Materials:	PPC
Weight:	2870 gr
Options:	Colors, upholstery
Homologated:	ECE-R118 - FMVSS 302 CMVSS 302 EN 45545

### Technical Features

All the plastic material in this parts are in conformity with the specifications and REACH. All the physical loading tests are done. The seat has ECE R80.03 regulation. In design we focused on creating robust, ergonomic, innovative, compact plastic seat. The seat is designed customizable, therefore on the back of the handle, there is a logo place. We can put your logo on that logo place.



## URBAN BUS SEAT

# 30003000

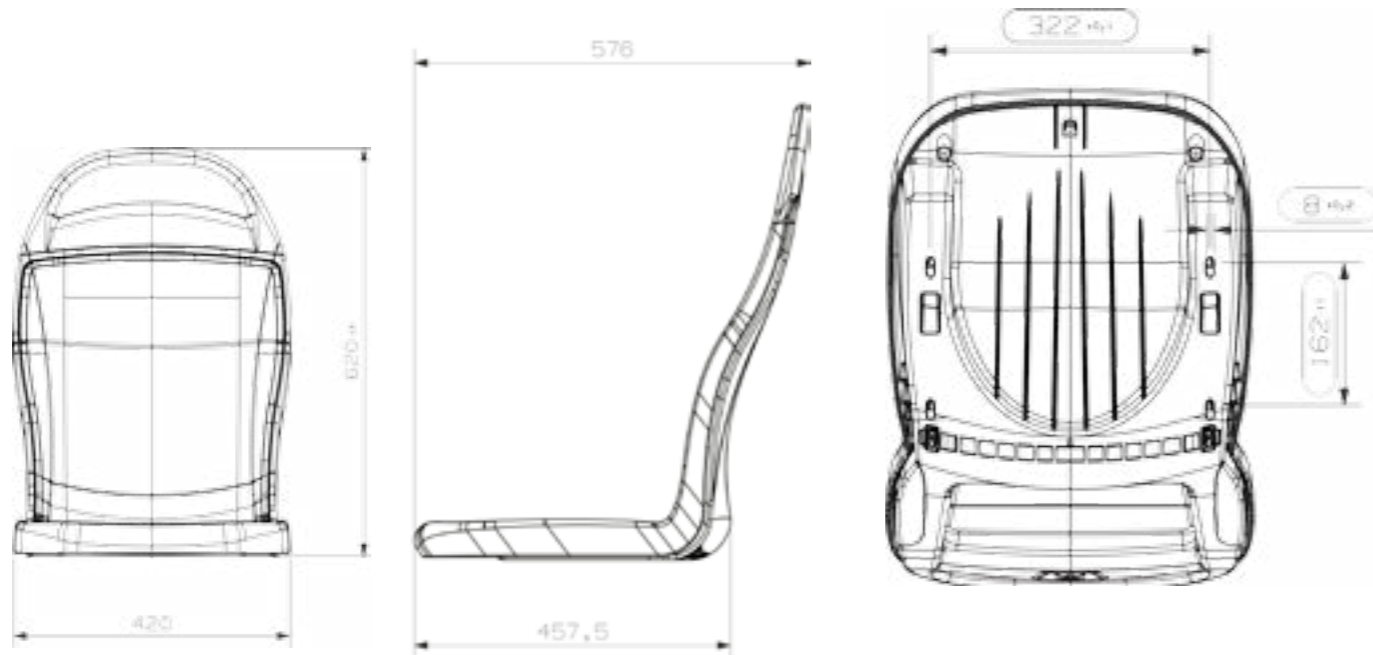


### Specifications

Stock No:	30003000
Stock Name:	Urban Bus Seat 420mm
Materials:	PPC
Weight:	4140 gr
Options:	Colors, upholstery, usb
Homologated:	ECE-R118 - FMVSS 302 - CMVSS 302 EN 45545 UIC564-2

### Technical Features

All the plastic material in this parts are in conformity with the specifications and REACH. All the physical loading tests are done. The seat has ECE R80.03 and UIC 566 regulations. In design we focused on creating robust, ergonomic, innovative, compact plastic seat. The seat is designed customizable, therefore on the back of the handle, there is a logo place. We can put your logo on that logo place.



## URBAN BUS SEAT

# 30002000

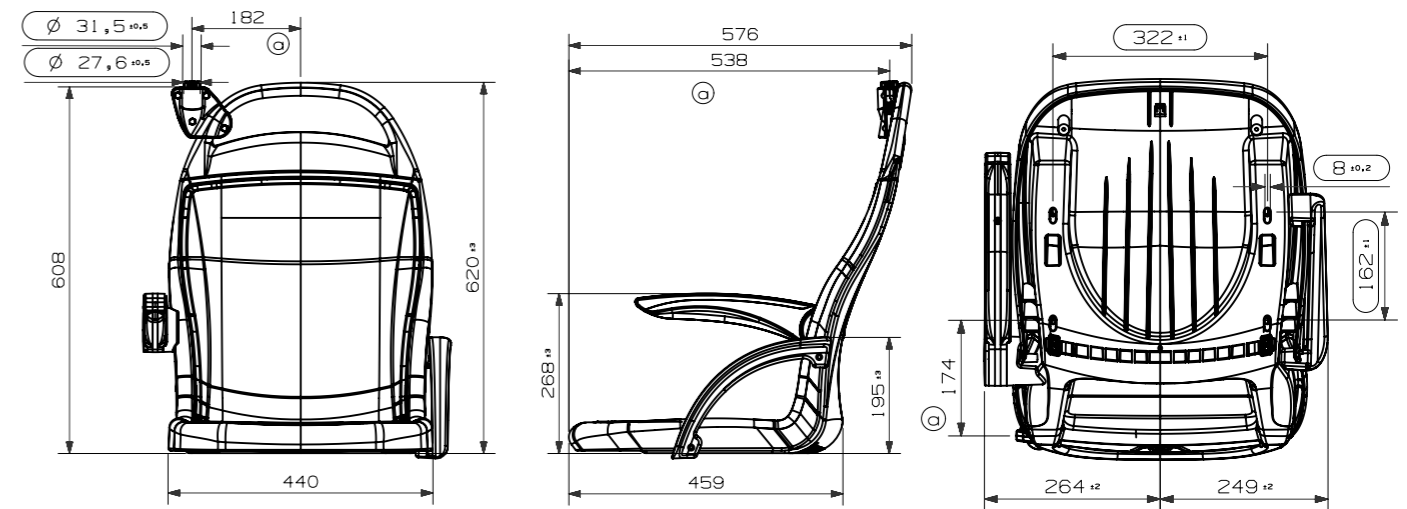


### Specifications

Stock No:	30002000
Stock Name:	Urban Bus Seat 440mm
Materials:	PPC
Weight:	4200 gr
Options:	Colors, upholstery, usb
Homologated:	ECE-R118 FMVSS 302 CMVSS 302 EN 45545 - UIC564 - 2

### Technical Features

All the plastic material in this parts are in conformity with the specifications and REACH. All the physical loading tests are done. The seat has ECE R80.03 and UIC 566 regulations. In design we focused on creating robust, ergonomic, innovative, compact plastic seat. The seat is designed customizable, therefore on the back of the handle, there is a logo place. We can put your logo on that logo place.



## URBAN BUS SEAT

# 30004000

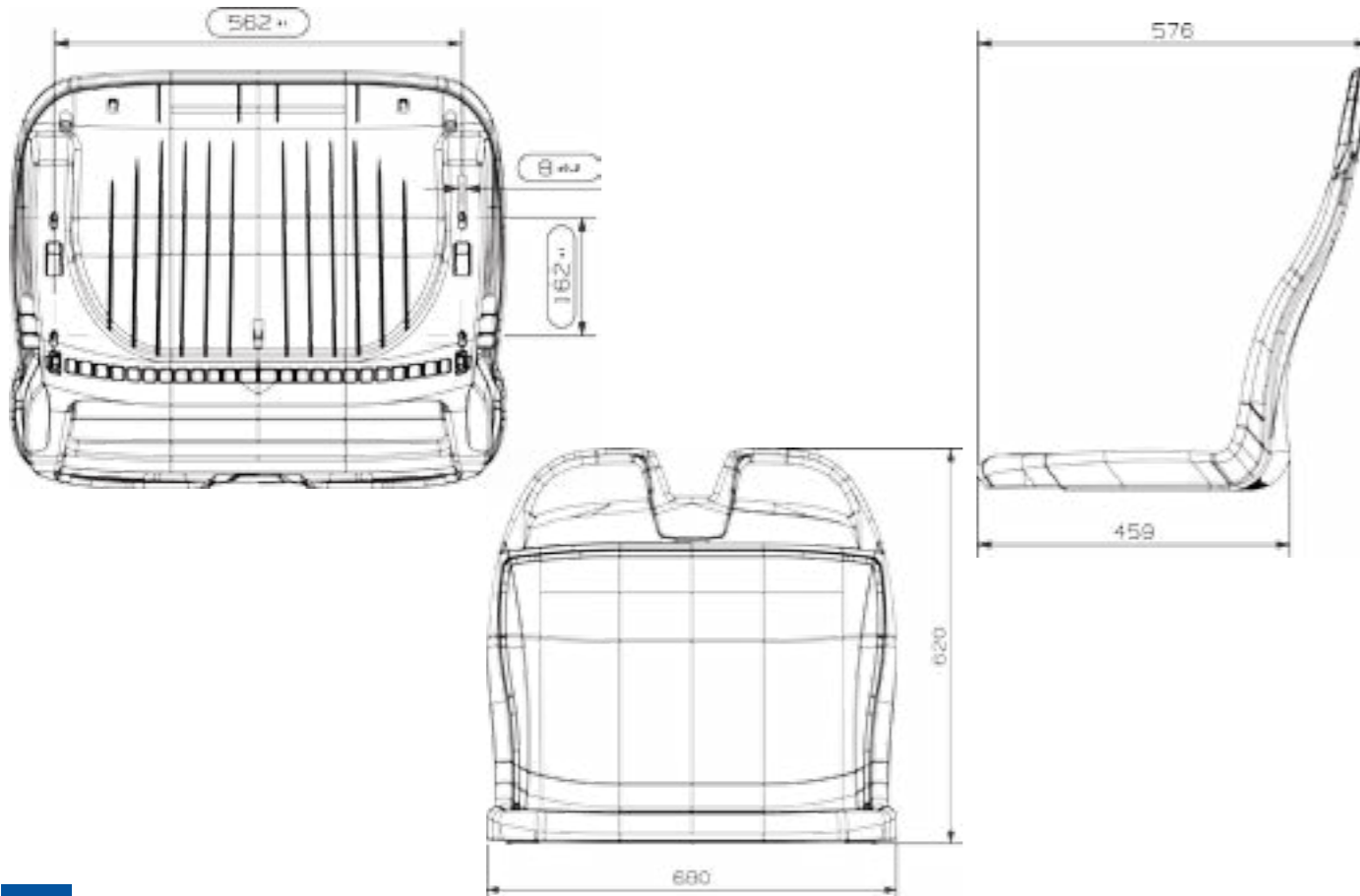


### Specifications

Stock No:	30004000
Stock Name:	Jumbo Seat 680mm
Materials:	PPC
Weight:	6040 gr
Options:	Colors, upholstery, usb
Homologated:	ECE-R118 - FMVSS 302 CMVSS 302 EN 45545 UIC564- 2

### Technical Features

All the plastic material in this parts are in conformity with the specifications and REACH. All the physical loading tests are done. The seat has ECE R80.03 regulation. In design we focused on creating robust, ergonomic, innovative, compact plastic seat. The seat is designed customizable, therefore on the back of the handle, there is a logo place. We can put your logo on that logo place.



## SEAT AND INTERIOR PARTS

60000080

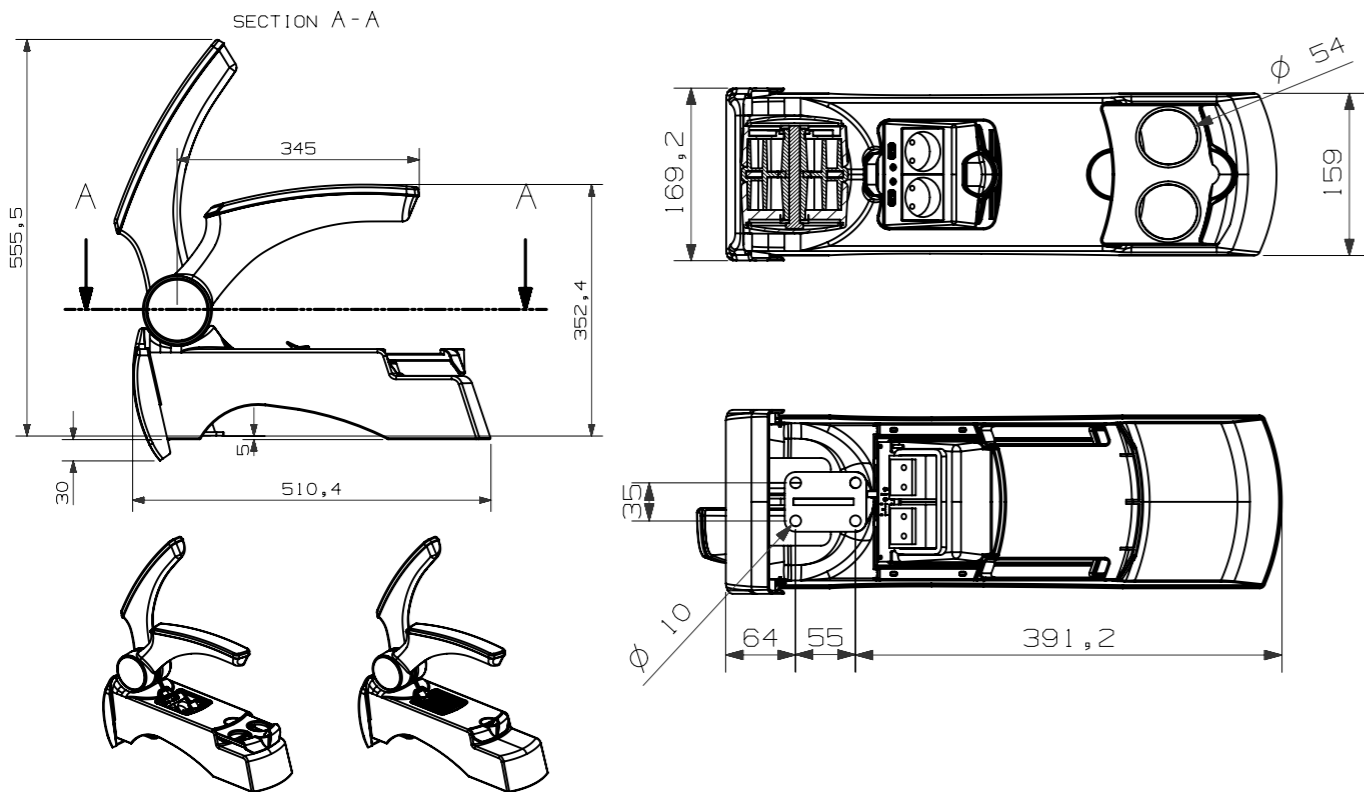


Specifications

Stock No:	60000080
Stock Name:	Console
Materials:	PA6 %30, ABS
Weight:	2300 gr
Options:	Colors
Homologated:	ECE-R118 FMVSS 302 - CMVSS 302

Technical Features

All the plastic materials in this parts are in conformity with the specifications and REACH. All the horizontal and vertical loading tests, fatigue tests are done. In design we focused on creating robust, ergonomic, innovative, compact products. The color combinations can be done according to the customer desires if the minimum order quantity is OK.



40000009

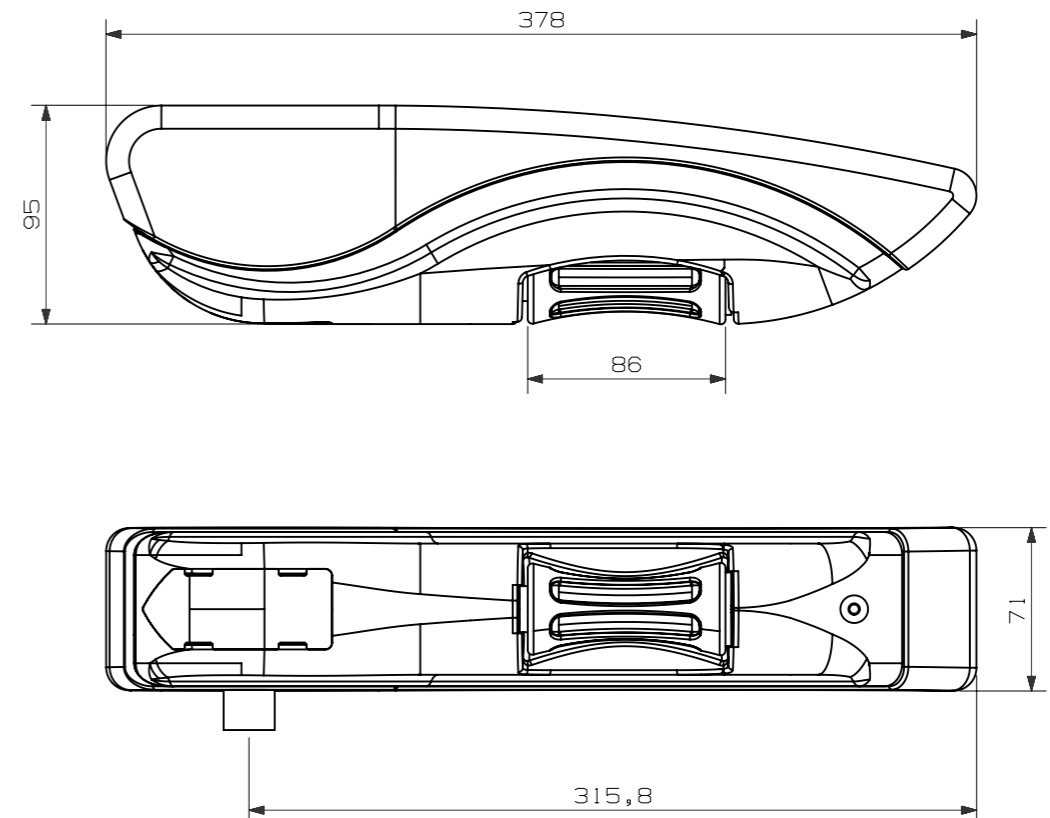


Specifications

Stock No:	40000009
Stock Name:	Driver Armrest
Materials:	PA6 %30, PU
Weight:	790 gr
Options:	Colors
Homologated:	ECE-R118 FMVSS 302 - CMVSS 302

Technical Features

All the plastic materials in this parts are in conformity with the specifications and REACH. All the horizontal and vertical loading tests, fatigue tests are done. In design we focused on creating robust, ergonomic, innovative, compact products.



60000001

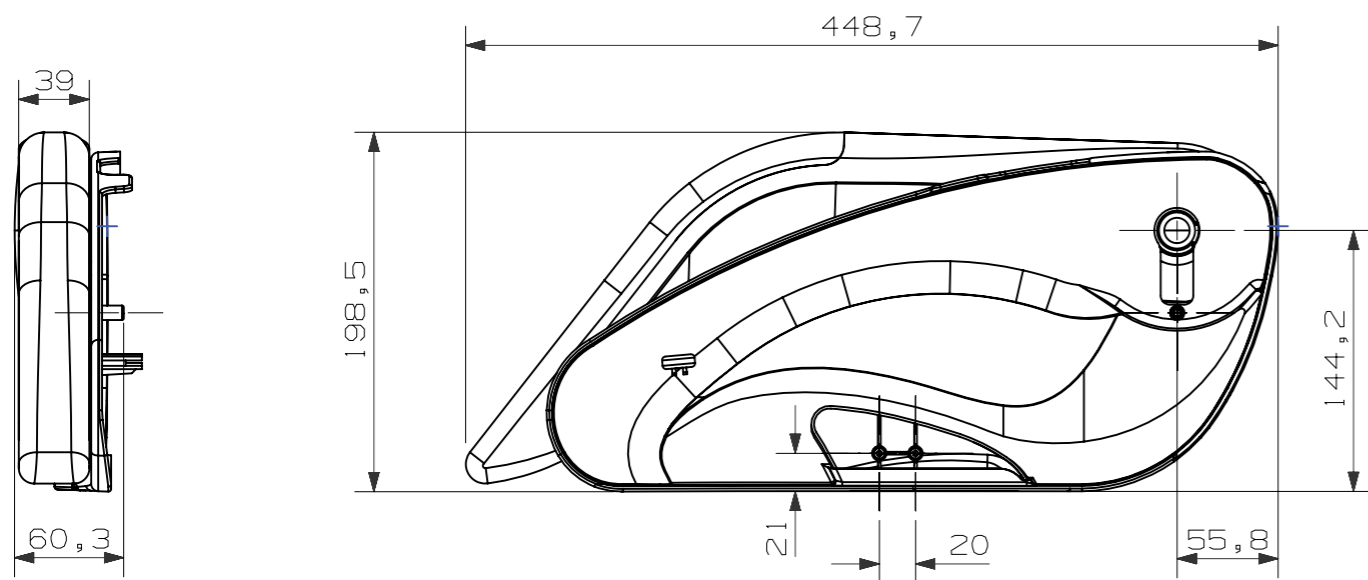


Specifications

Stock No:	60000001
Stock Name:	Soft Armrest
Materials:	PPC, PA6 %30
Weight:	1130 gr
Options:	Colors
Homologated:	ECE-R118 FMVSS 302 - CMVSS 302

Technical Features

All the plastic materials in this parts are in conformity with the specifications and REACH. All the horizontal and vertical loading tests, fatigue tests are done. In design we focused on creating robust, ergonomic, innovative, compact products. The color combinations can be done according to the customer desires if the minimum order quantity is OK. The armrests are generally optional according to the colors, buttons.



60000027

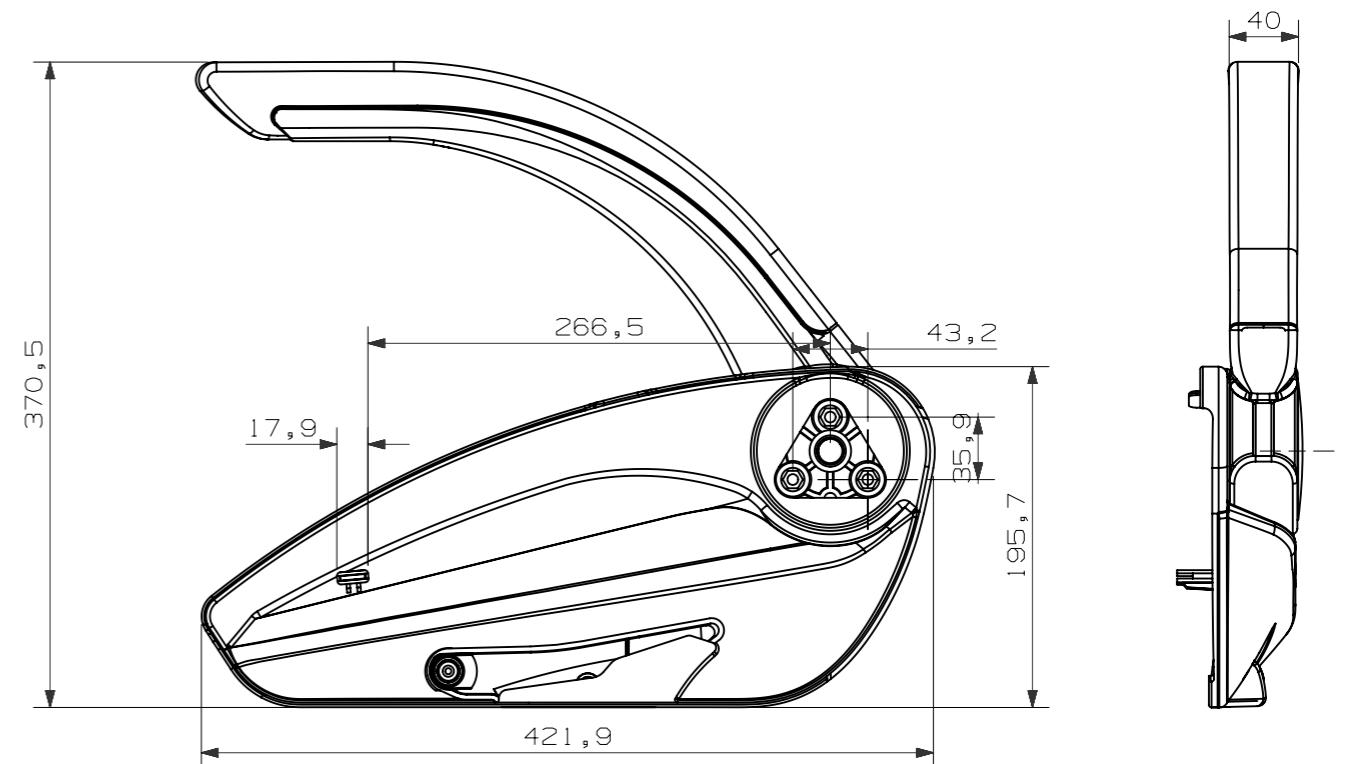


Specifications

Stock No:	60000027
Stock Name:	Kayra Armrest
Materials:	PPC, PA6 %30
Weight:	1100 gr
Options:	Colors
Homologated:	ECE-R118 FMVSS 302 - CMVSS 302

Technical Features

All the plastic materials in this parts are in conformity with the specifications and REACH. All the horizontal and vertical loading tests, fatigue tests are done. In design we focused on creating robust, ergonomic, innovative, compact products. The color combinations can be done according to the customer desires if the minimum order quantity is OK. The armrests are generally optional according to the colors, buttons.





30000070

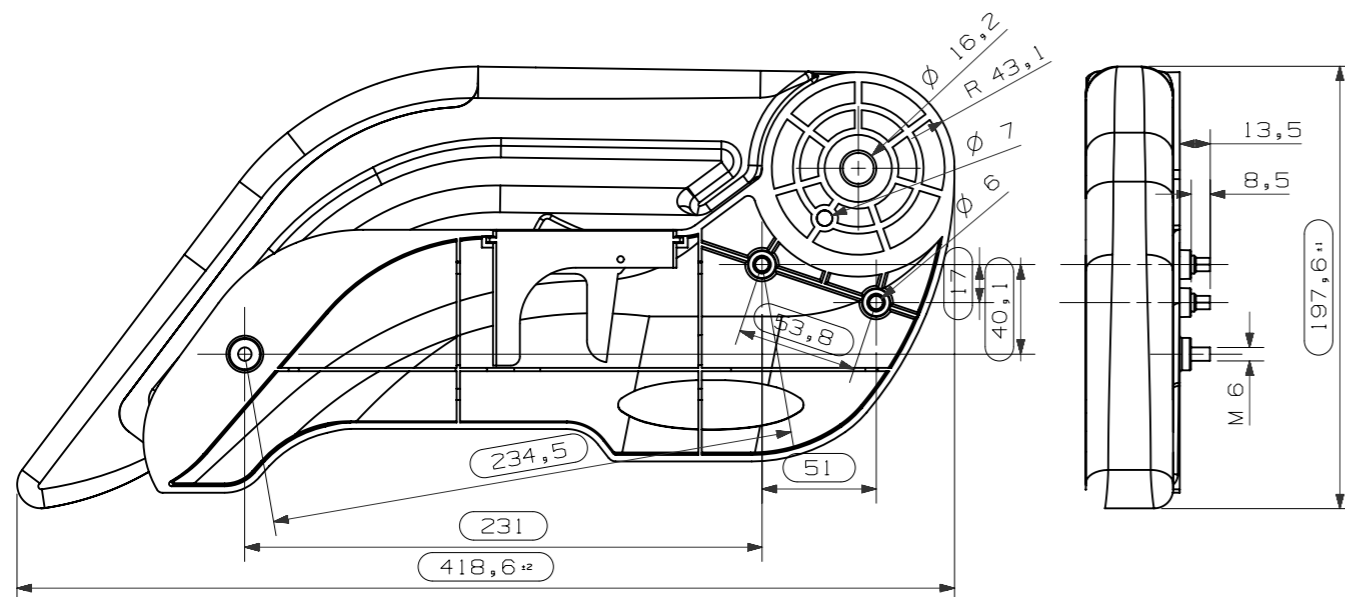


### Specifications

Stock No:	30000070
Stock Name:	Galaksi(2) M Armrest
Materials:	PA6 %30
Weight:	1090 gr
Options:	Colors, Recliner / Fix
Homologated:	ECE-R118 FMVSS 302 - CMVSS 302

### Technical Features

All the plastic materials in this parts are in conformity with the specifications and REACH. All the horizontal and vertical loading tests, fatigue tests are done. In design we focused on creating robust, ergonomic, innovative, compact products. The color combinations can be done according to the customer desires if the minimum order quantity is OK. The armrests are generally optional according to the colors, buttons.



30000066

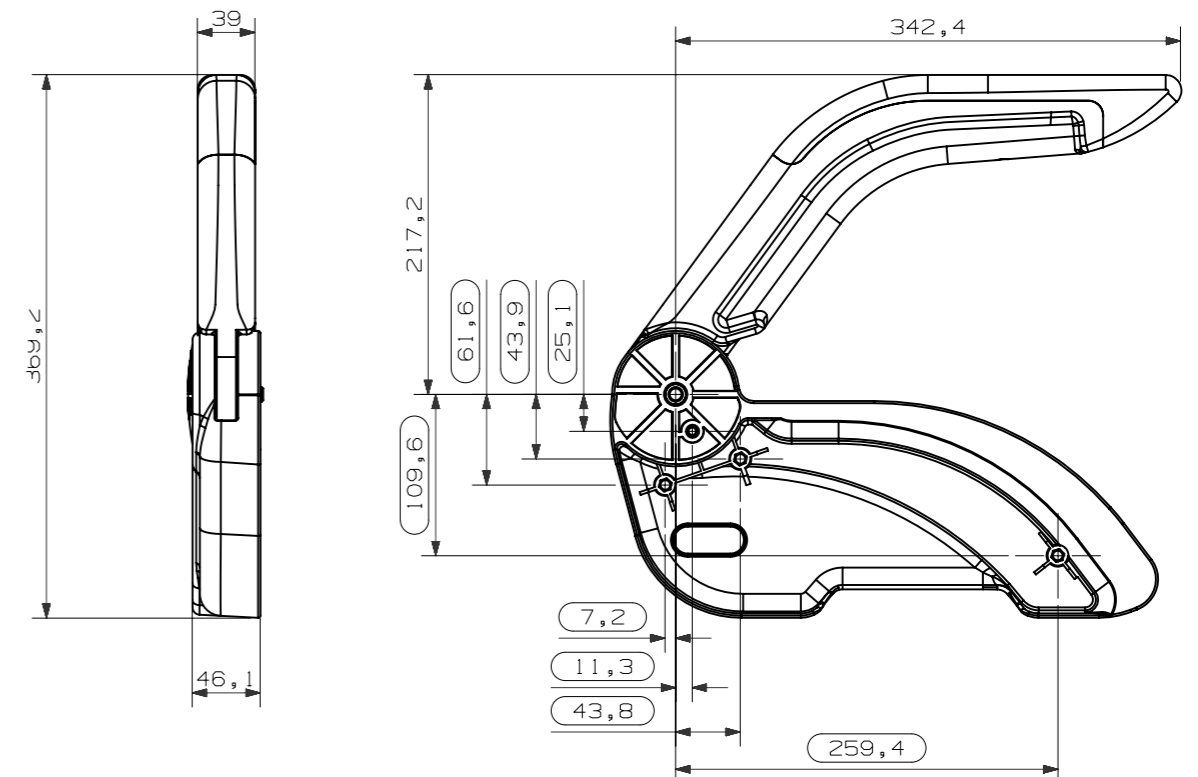


### Specifications

Stock No:	30000066
Stock Name:	Galaksi (1) L Armrest
Materials:	PA6 %30
Weight:	1152 gr
Options:	Colors, Recliner / Fix
Homologated:	ECE-R118 FMVSS 302 - CMVSS 302

### Technical Features

All the plastic materials in this parts are in conformity with the specifications and REACH. All the horizontal and vertical loading tests, fatigue tests are done. In design we focused on creating robust, ergonomic, innovative, compact products. The color combinations can be done according to the customer desires if the minimum order quantity is OK.



30000024

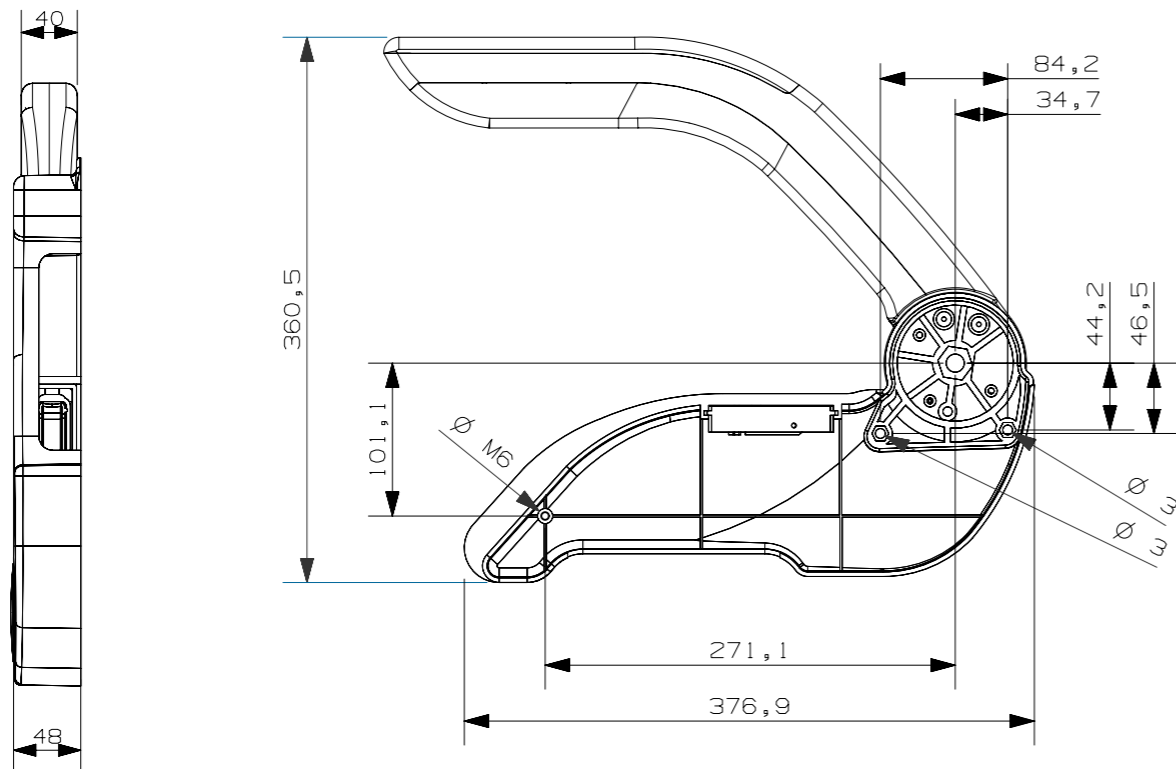


Specifications

Stock No:	30000024
Stock Name:	Ern Armrest
Materials:	PA6 %30
Weight:	1375 gr
Options:	Colors, Recliner / Fix
Homologated:	ECE-R118 FMVSS 302 - CMVSS 302

Technical Features

All the plastic materials in this parts are in conformity with the specifications and REACH. All the horizontal and vertical loading tests, fatigue tests are done. In design we focused on creating robust, ergonomic, innovative, compact products. The color combinations can be done according to the customer desires if the minimum order quantity is OK. The armrests are generally optional according to the colors, buttons.



30000256

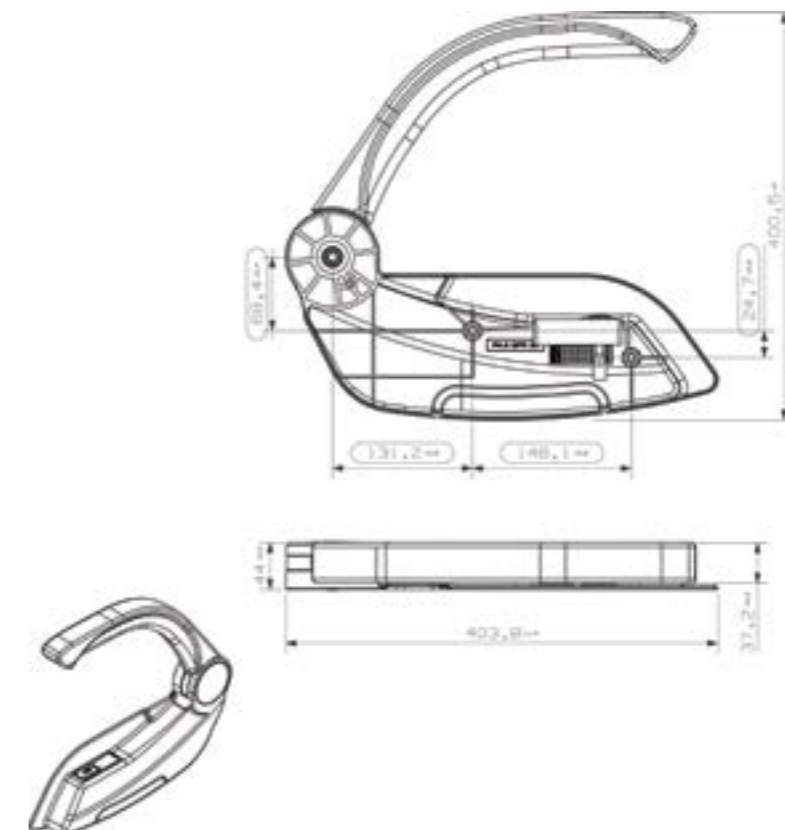


Specifications

Stock No:	30000256
Stock Name:	AKD Armrest
Weight:	1683 gr
Materials:	PA6 %30
Options:	Colors
Homologated:	ECE-R118 FMVSS 302 - CMVSS 302

Technical Features

All the plastic materials in this parts are in conformity with the specifications and REACH. All the horizontal and vertical loading tests, fatigue tests are done. In design we focused on creating robust, ergonomic, innovative, compact products. The color combinations can be done according to the customer desires if the minimum order quantity is OK. The armrests are generally optional according to the colors, buttons.



30000076

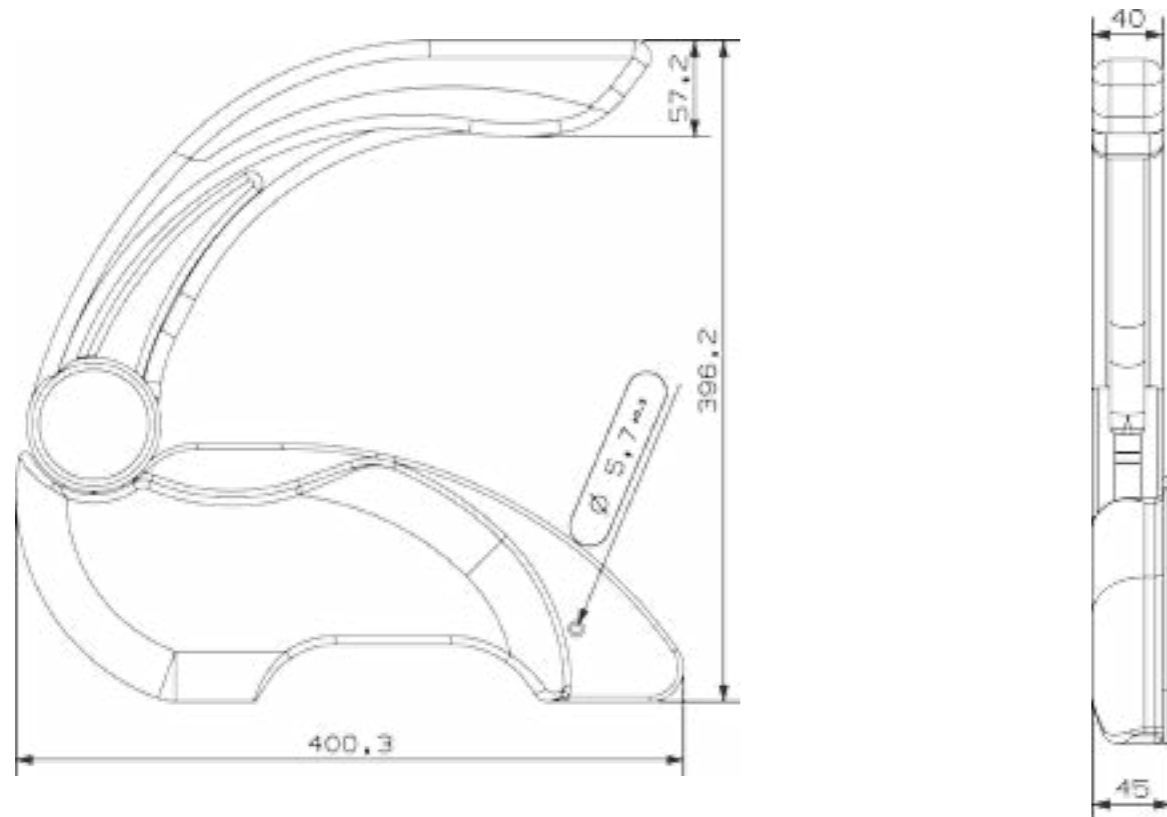


### Specifications

Stock No:	30000076
Stock Name:	Eko Armrest
Materials:	PA6 %30
Weight:	1400 gr
Options:	Colors
Homologated:	ECE-R118 FMVSS 302 - CMVSS 302

### Technical Features

All the plastic materials in this parts are in conformity with the specifications and REACH. All the horizontal and vertical loading tests, fatigue tests are done. In design we focused on creating robust, ergonomic, innovative, compact products. The color combinations can be done according to the customer desires if the minimum order quantity is OK.



30000011

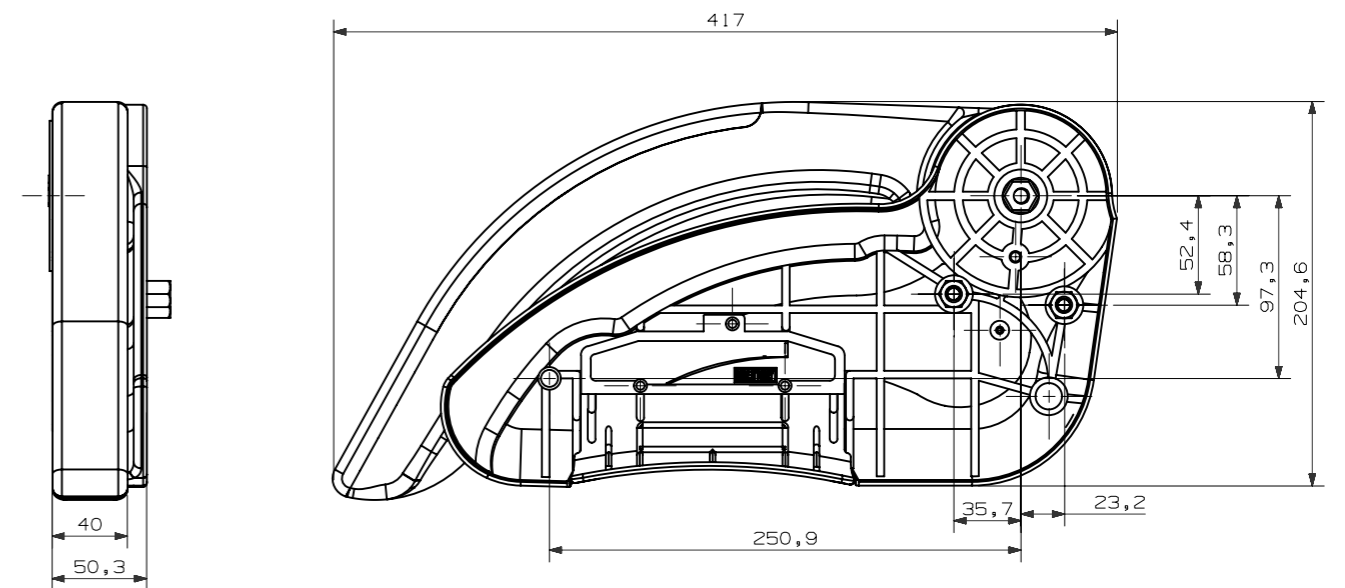


### Specifications

Stock No:	30000011
Stock Name:	Yildiz Armrest
Materials:	PPH %30
Weight:	1670 gr
Options:	Colors
Homologated:	ECE-R118 FMVSS 302 - CMVSS 302

### Technical Features

All the plastic materials in this parts are in conformity with the specifications and REACH. All the horizontal and vertical loading tests, fatigue tests are done. In design we focused on creating robust, ergonomic, innovative, compact products. The color combinations can be done according to the customer desires if the minimum order quantity is OK. The armrests are generally optional according to the colors, buttons.



60000019

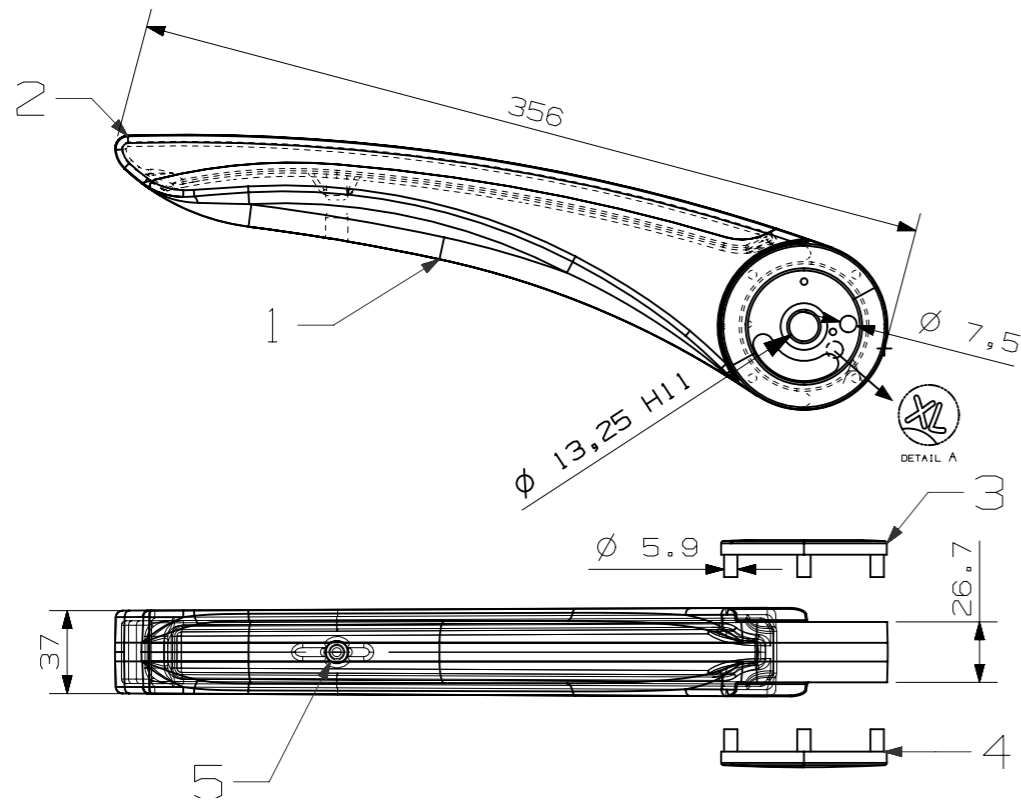


Specifications

Stock No:	60000019
Stock Name:	Hostes Guide Armrest
Materials:	PA6 %30
Weight:	430 gr
Options:	Colors
Homologated:	ECE-R118 FMVSS 302 - CMVSS 302

Technical Features

All the plastic materials in this parts are in conformity with the specifications and REACH. All the horizontal and vertical loading tests, fatigue tests are done. In design we focused on creating robust, ergonomic, innovative, compact products. The color combinations can be done according to the customer desires if the minimum order quantity is OK.



30000318

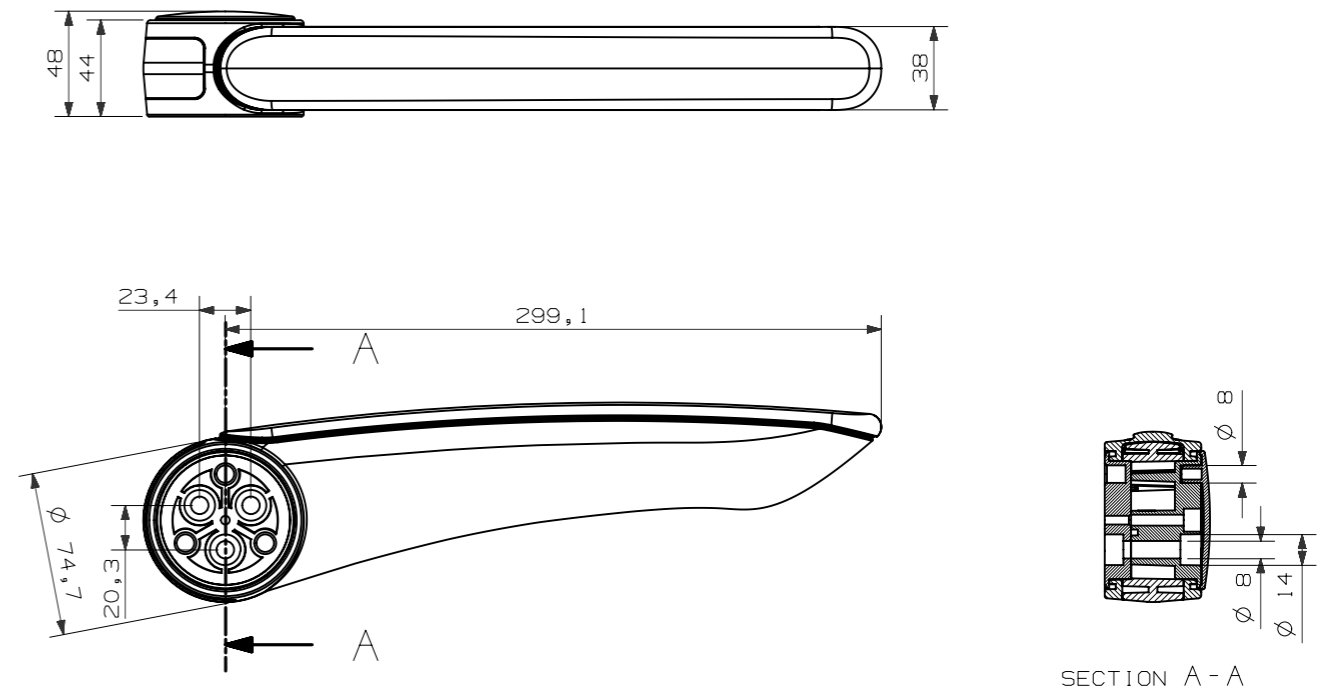


Specifications

Stock No:	30000318
Stock Name:	Tuğra Guide Armrest
Materials:	PA6 %30
Weight:	425 gr
Options:	Colors
Homologated:	ECE-R118 FMVSS 302 - CMVSS 302

Technical Features

All the plastic materials in this parts are in conformity with the specifications and REACH. All the horizontal and vertical loading tests, fatigue tests are done. In design we focused on creating robust, ergonomic, innovative, compact products. The color combinations can be done according to the customer desires if the minimum order quantity is OK.



30000168

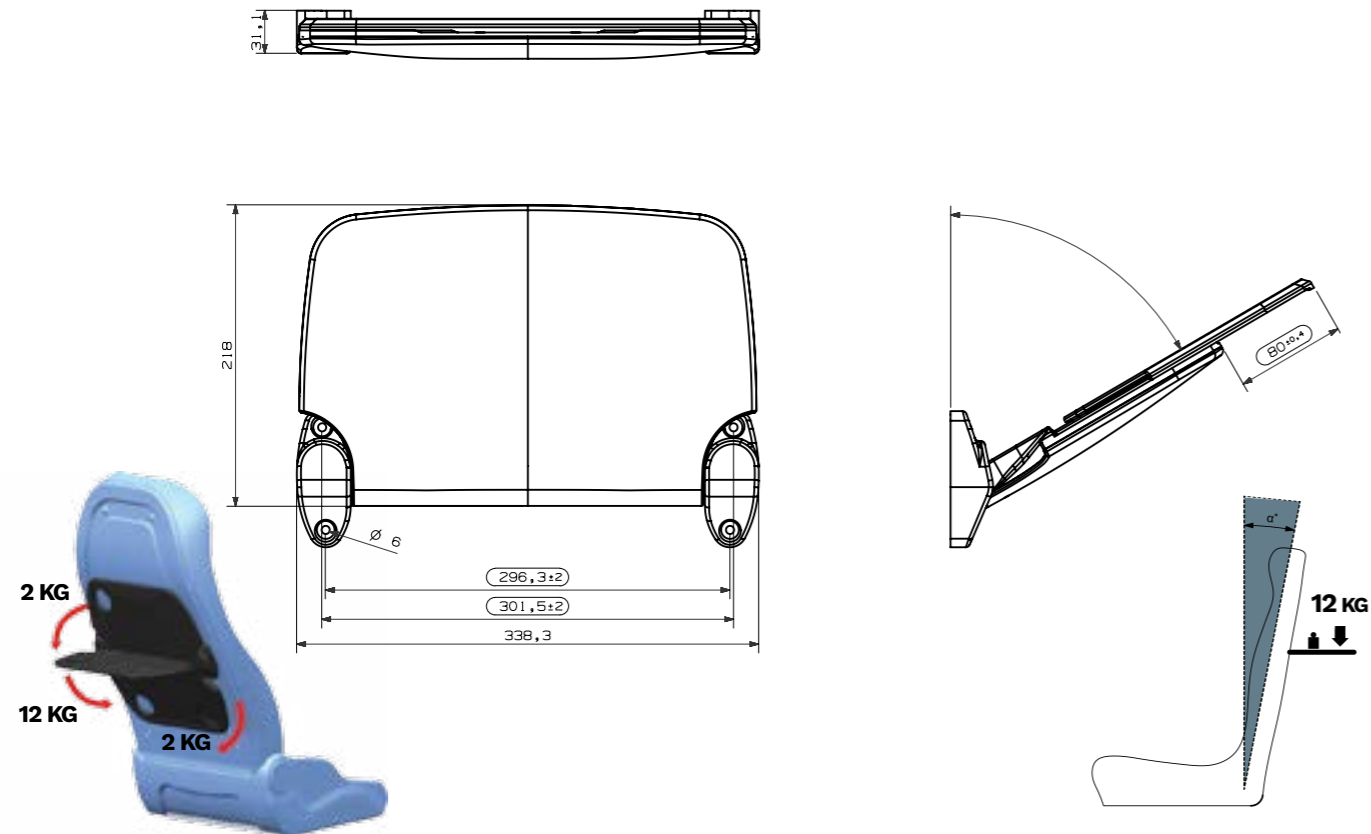


Specifications

Stock No:	30000168
Stock Name:	Slide Able Table
Materials:	ABS
Weight:	913gr
Options:	Colors, Serigraphy Mat\ Glossy
Homologated:	ECE-R118 FMVSS 302 - CMVSS 302

Technical Features

All the plastic materials in this part are in conformity with the specifications and REACH. The vertical loading tests, fatigue tests are done. In design we focused on creating robust, ergonomic, innovative, compact products.



30000407

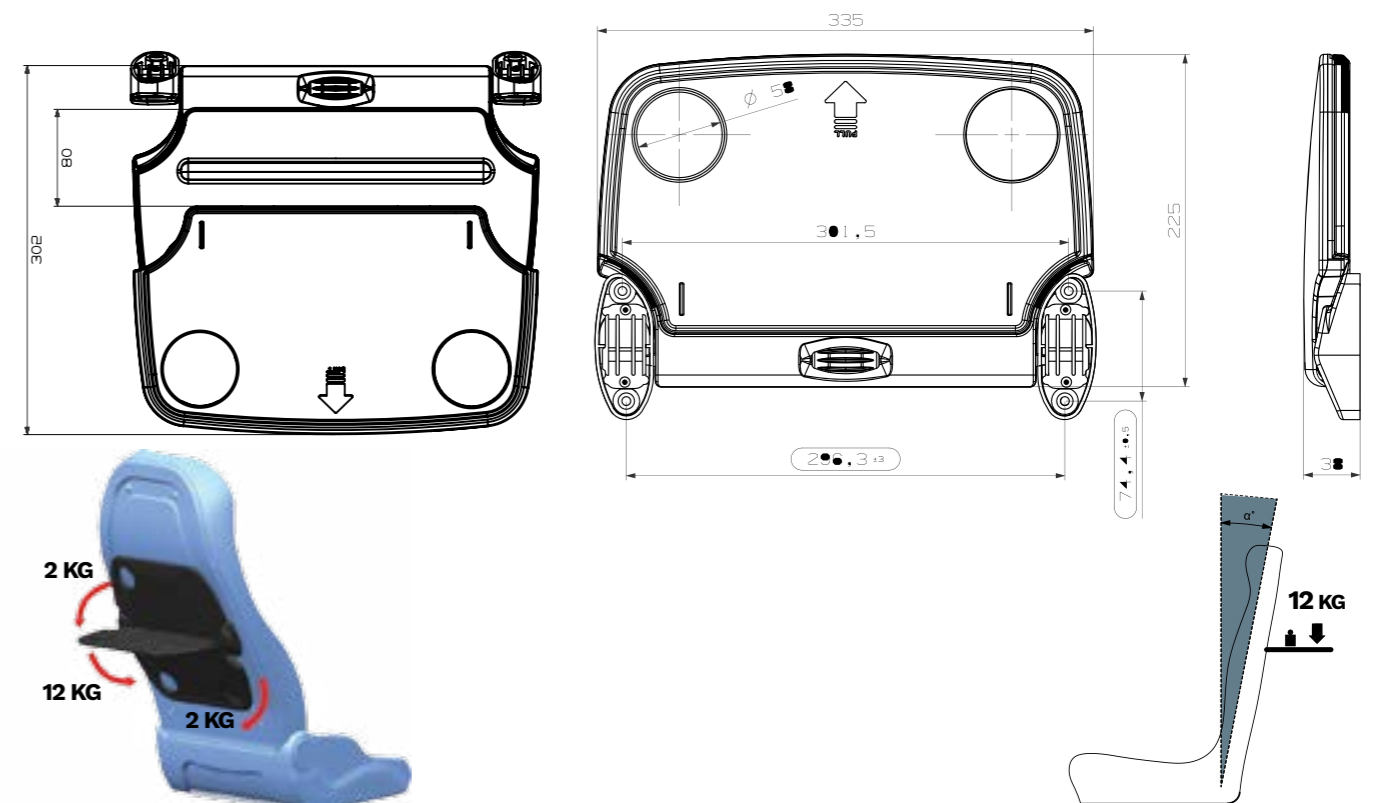


Specifications

Stock No:	3000407
Stock Name:	Angle Adjustable Table
Materials:	ABS
Weight:	1100 gr
Options:	Colors, Serigraphy Mat\ Glossy
Homologated:	ECE-R118 FMVSS 302 - CMVSS 302

Technical Features

All the plastic materials in this part are in conformity with the specifications and REACH. The vertical loading tests, fatigue tests are done. In design we focused on creating robust, ergonomic, innovative, compact products. The table has roller for changing angle of the table.



30000095

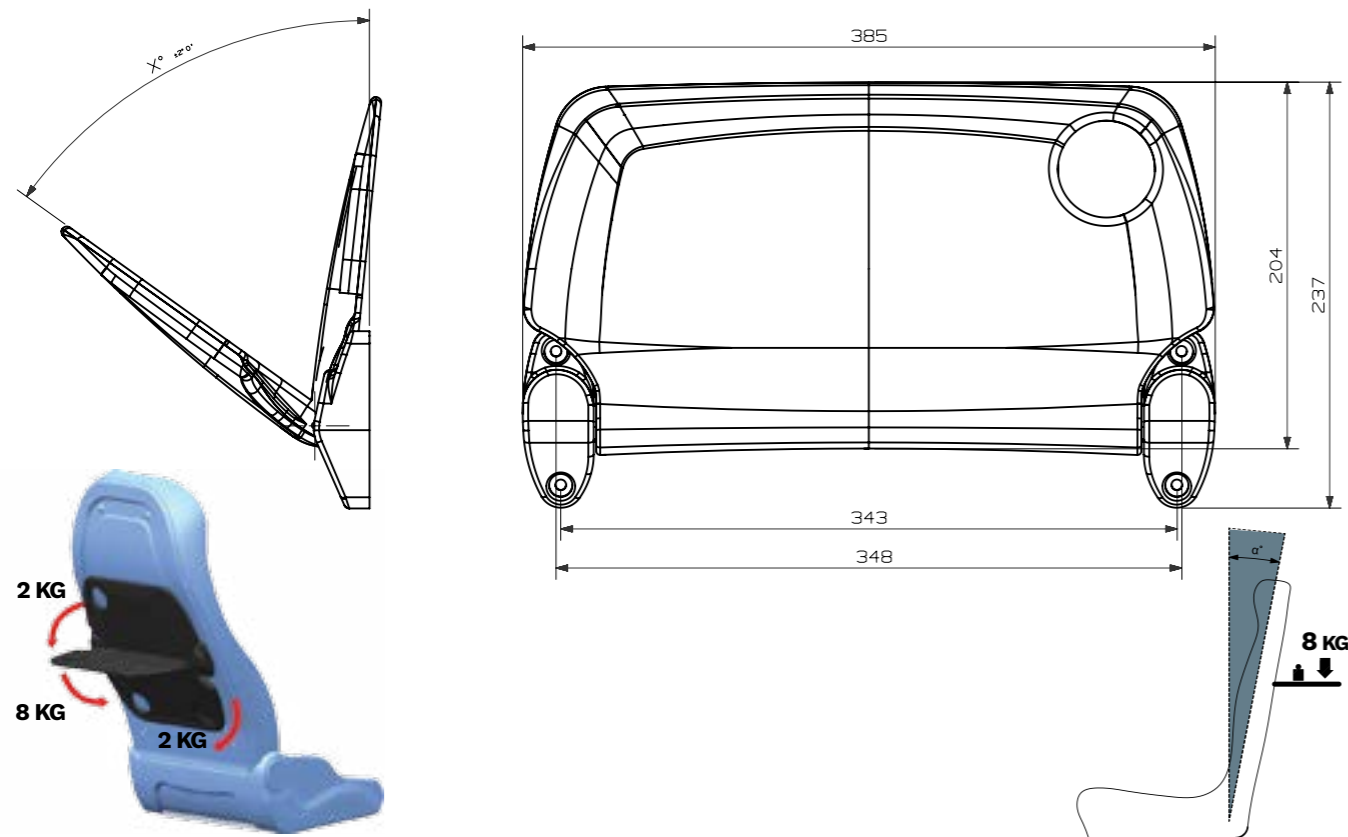


Specifications

Stock No:	30000095
Stock Name:	Airplane Table
Materials:	ABS
Weight:	670 gr
Options:	Colors, serigraphy angles 60°
Homologated:	ECE-R118 FMVSS 302 - CMVSS 302

Technical Features

All the plastic materials in this part are in conformity with the specifications and REACH. The vertical loading tests, fatigue tests are done. In design we focused on creating robust, ergonomic, innovative, compact products.



30000136

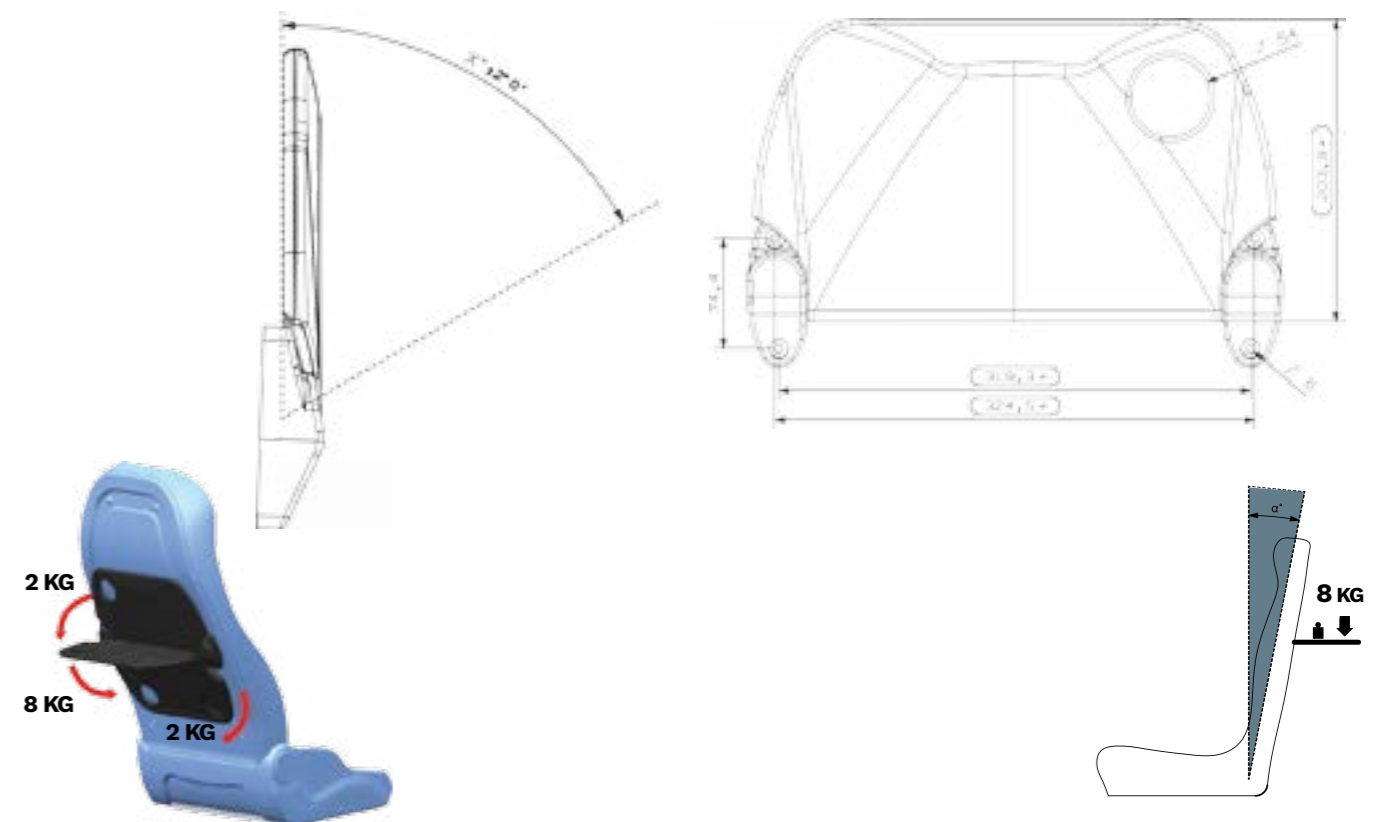


Specifications

Stock No:	30000136
Stock Name:	PPC Table
Materials:	PP
Weight:	485 gr
Options:	Colors, angles 65°/70°/90°
Homologated:	ECE-R118 FMVSS 302 - CMVSS 302

Technical Features

All the plastic materials in this part are in conformity with the specifications and REACH. The vertical loading tests, fatigue tests are done. In design we focused on creating robust, ergonomic, innovative, compact products.



30000026

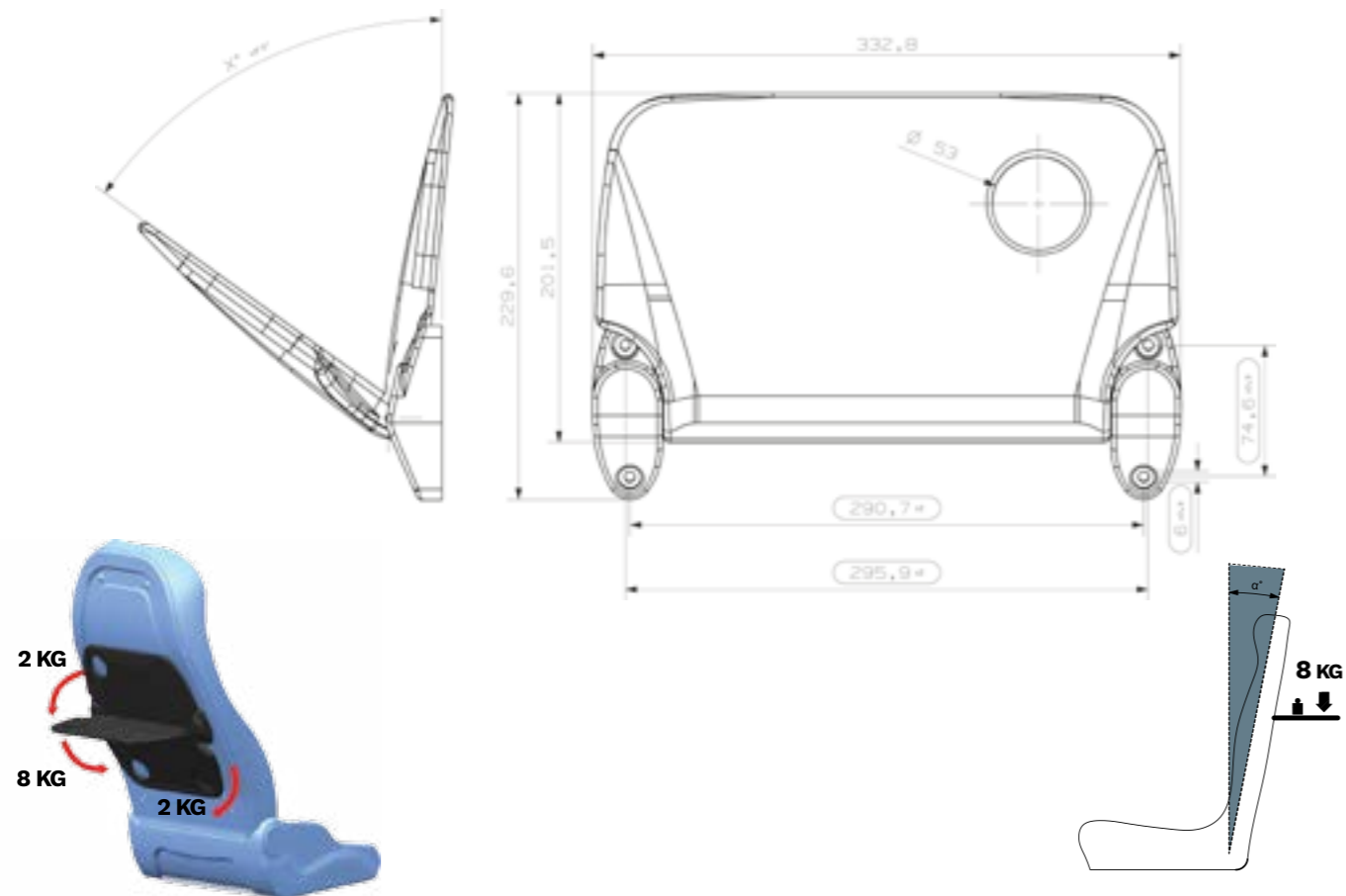


Specifications

Stock No:	30000026
Stock Name:	Esila Table
Materials:	ABS
Weight:	500 gr
Options:	Colors, serigraphy angles 59°/65°
Homologated:	ECE-R118 FMVSS 302 - CMVSS 302

Technical Features

All the plastic materials in this part are in conformity with the specifications and REACH. The vertical loading tests, fatigue tests are done. In design we focused on creating robust, ergonomic, innovative, compact products.



30000399

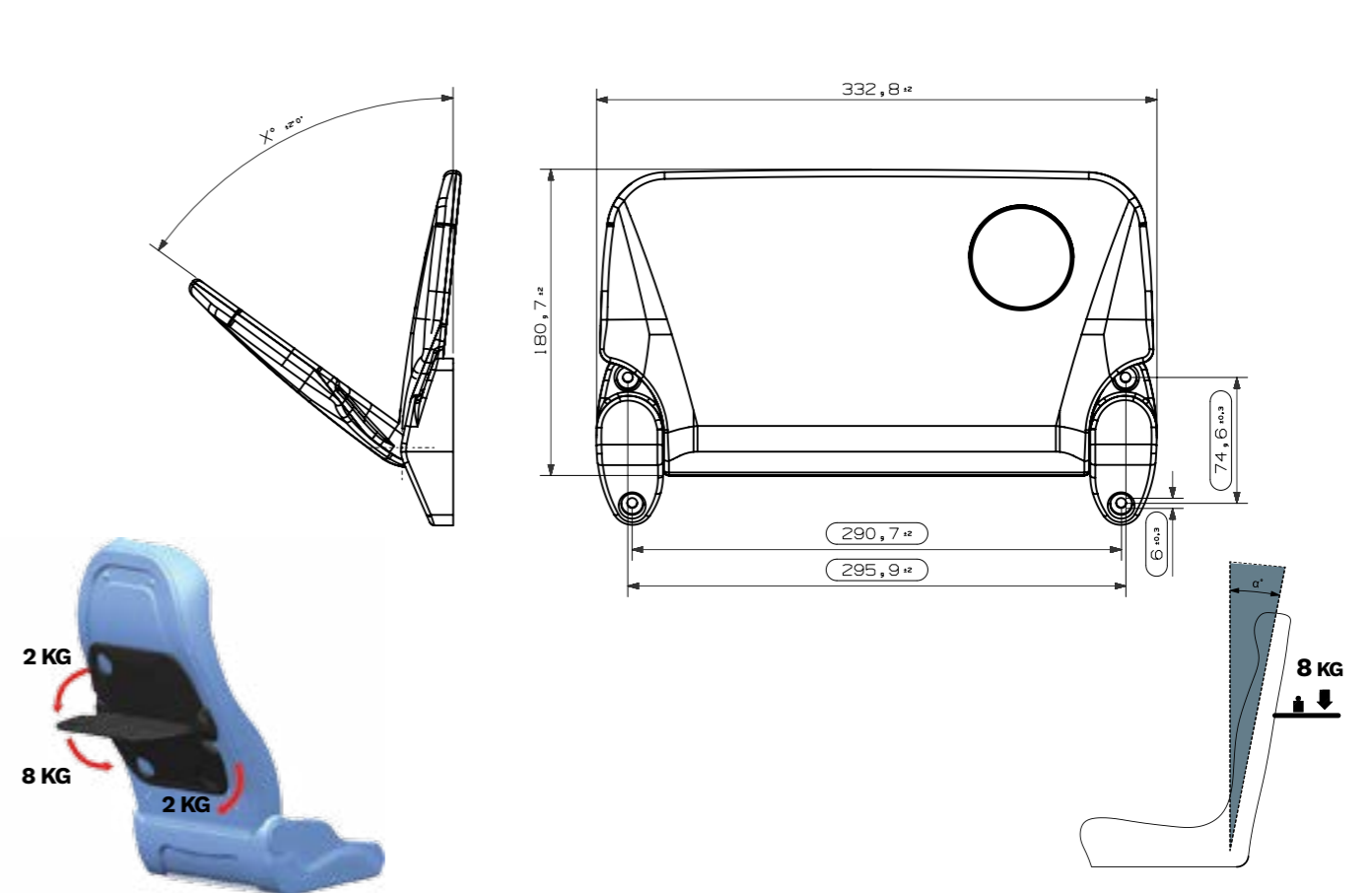


Specifications

Stock No:	30000399
Stock Name:	Korhan Table
Materials:	ABS
Weight:	490 gr
Options:	Colors, serigraphy angles 65°/70°/90°
Homologated:	ECE-R118 FMVSS 302 - CMVSS 302

Technical Features

All the plastic materials in this part are in conformity with the specifications and REACH. The vertical loading tests, fatigue tests are done. In design we focused on creating robust, ergonomic, innovative, compact products.



30000217

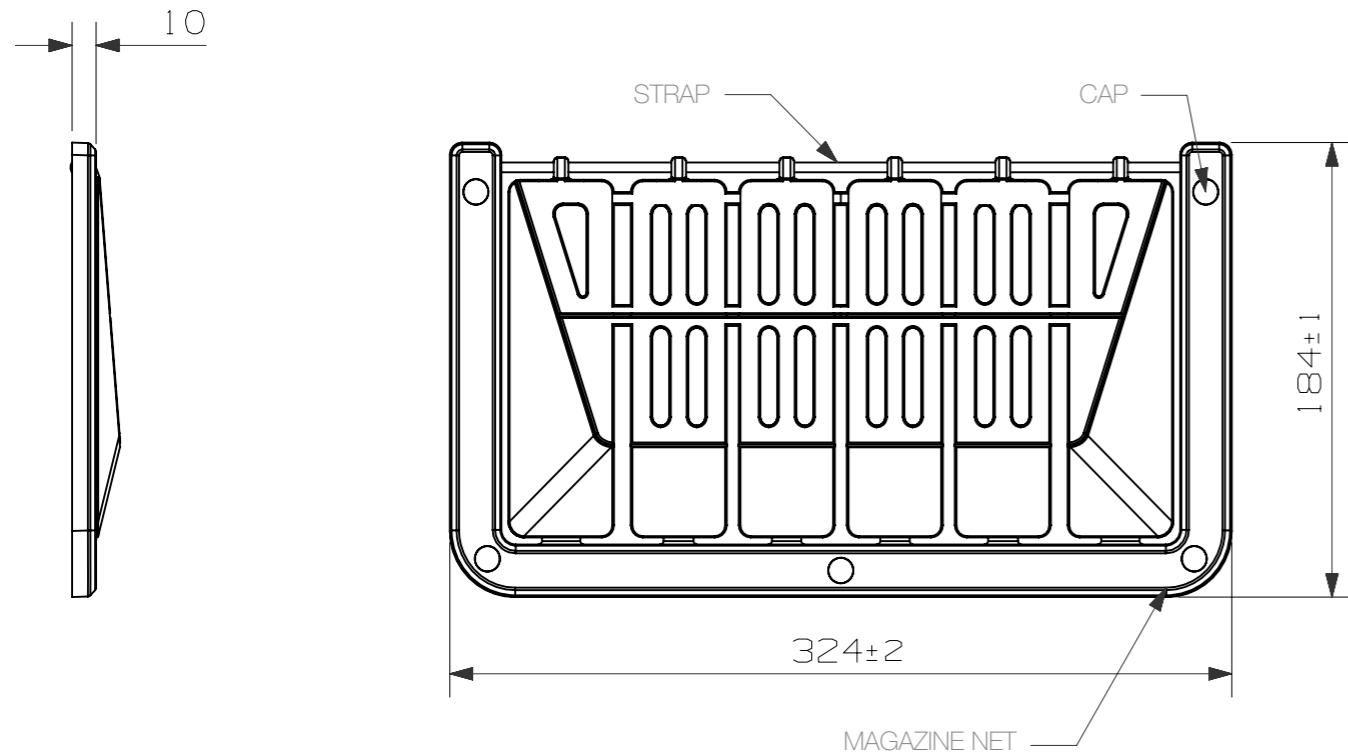


Specifications

Stock No:	30000217
Stock Name:	Magazine Net 325 mm
Materials:	LDPE
Weight:	110 gr
Options:	Colors
Homologated:	ECE-R118
	FMVSS 302 - CMVSS 302

Technical Features

All the plastic materials in this part are in conformity with the specifications and REACH. In design we focused on creating robust, ergonomic, innovative, compact products. The color combinations can be applied according to the customer request.



30000222

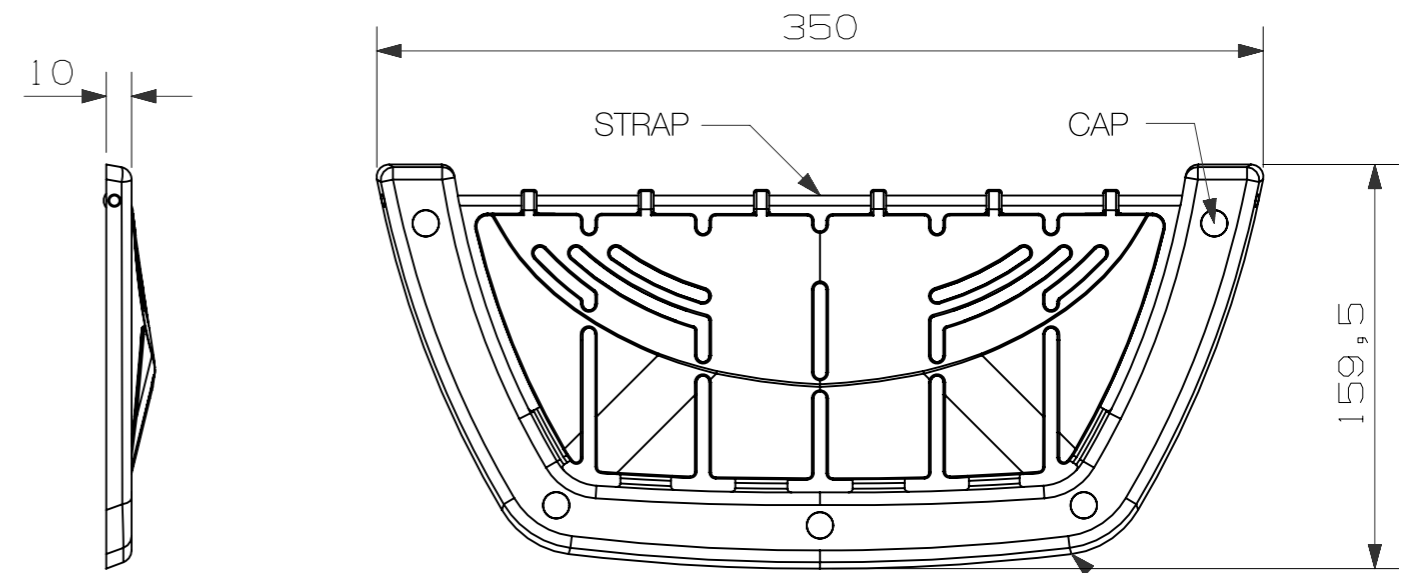


Specifications

Stock No:	30000222
Stock Name:	Rehes Magazine Net
Materials:	LDPE
Weight:	110 gr
Options:	Colors
Homologated:	ECE-R118
	FMVSS 302 - CMVSS 302

Technical Features

All the plastic materials in this part are in conformity with the specifications and REACH. In design we focused on creating robust, ergonomic, innovative, compact products. The color combinations can be applied according to the customer request.





30000212

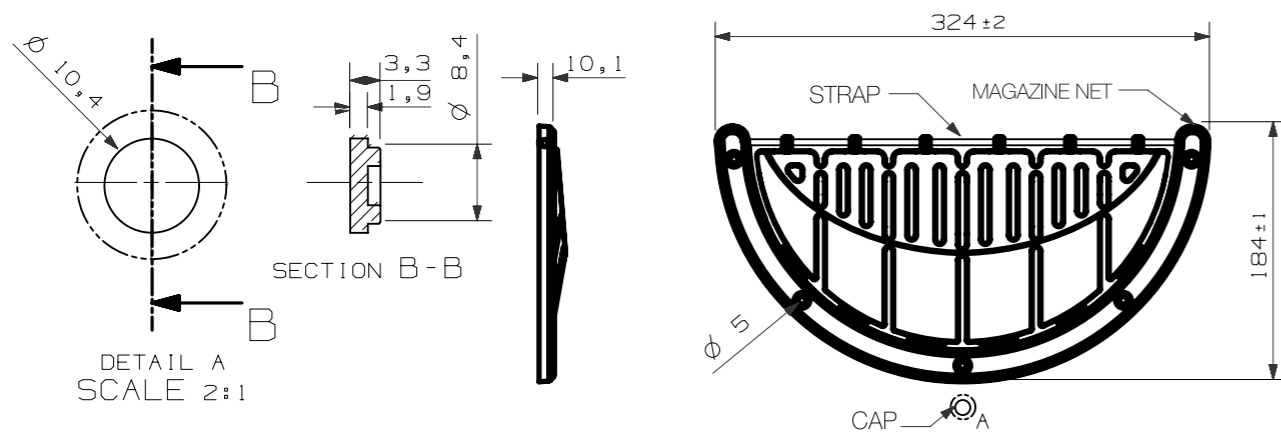


Specifications

Stock No:	30000212
Stock Name:	Magazine Net Oval Pls
Materials:	LDPE
Weight:	85 gr
Options:	Colors
Homologated:	ECE-R118 FMVSS 302 - CMVSS 302

Technical Features

All the plastic materials in this part are in conformity with the specifications and REACH. In design we focused on creating robust, ergonomic, innovative, compact products. The color combinations can be applied according to the customer request.



40000035

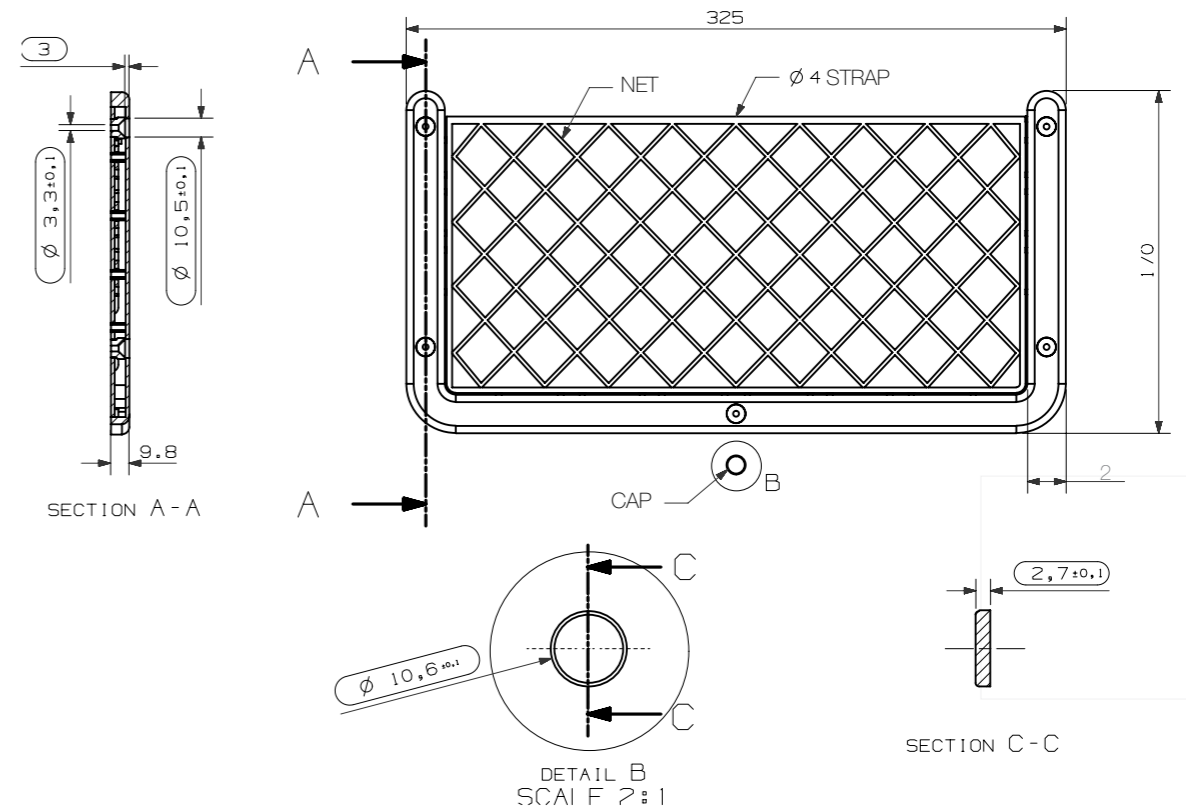


Specifications

Stock No:	40000035
Stock Name:	Magazine Net
Materials:	PPC
Weight:	82 gr
Width:	325 mm & 360 mm
Options:	Colors
Homologated:	ECE-R118 FMVSS 302 - CMVSS 302

Technical Features

All the plastic materials in this part are in conformity with the specifications and REACH. In design we focused on creating robust, ergonomic, innovative, compact products. The color combinations can be applied according to the customer request.



40000034

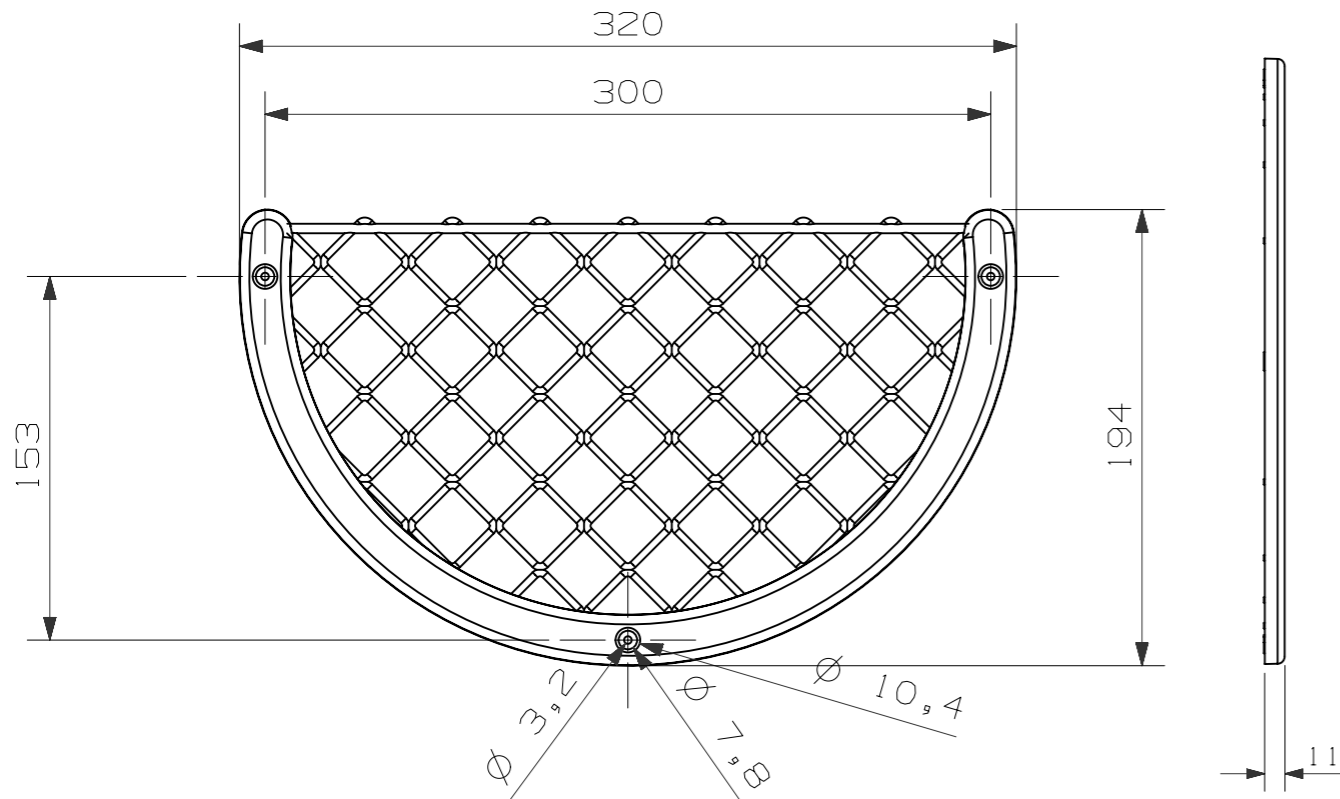


Specifications

Stock No:	40000034
Stock Name:	Magazine Net Oval
Materials:	PPC
Weight:	85 gr
Options:	Colors
Homologated:	ECE-R118
	FMVSS 302 - CMVSS 302

Technical Features

All the plastic materials in this part are in conformity with the specifications and REACH. In design we focused on creating robust, ergonomic, innovative, compact products. The color combinations can be applied according to the customer request.



40000041

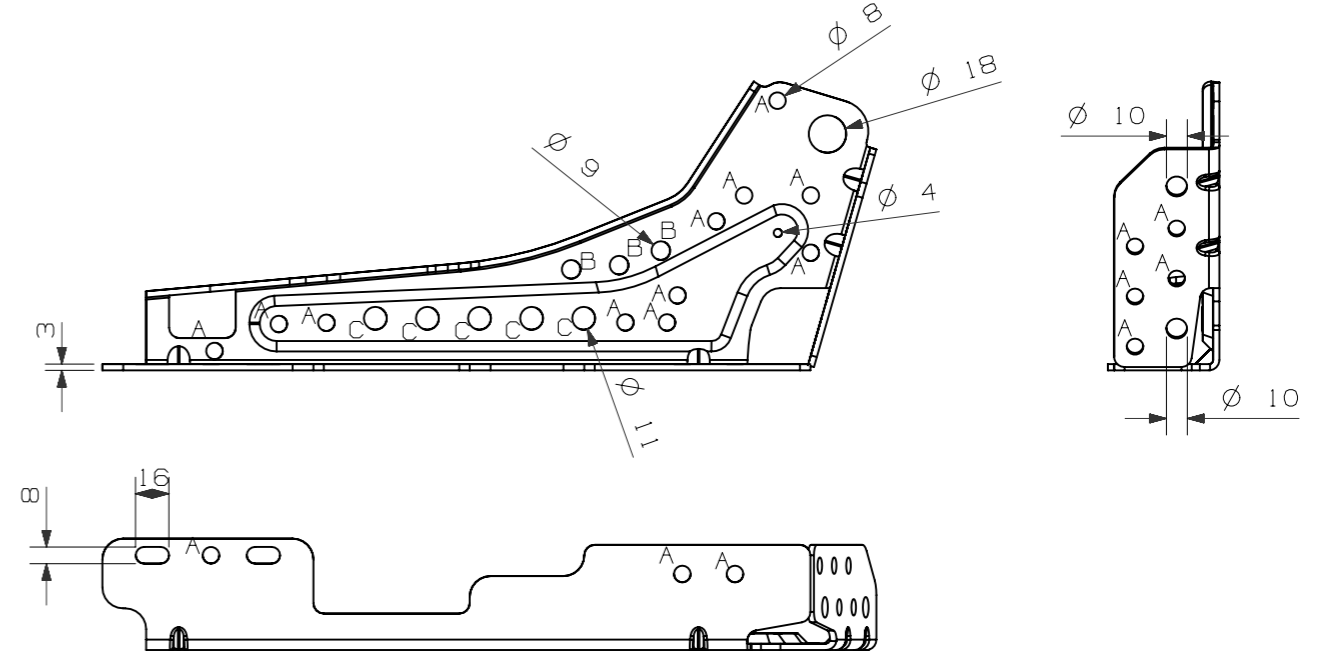


Specifications

Stock No:	40000041
Stock Name:	Side Metal Sheet
Materials:	Metal
Weight:	818 gr

Technical Features

All the plastic materials in this part are in conformity with the specifications and REACH. In design we focused on creating robust, ergonomic, innovative, compact products. The color combinations can be applied according to the customer request.



30000128



Specifications

Stock No:	30000128
Stock Name:	Recliner Lever
Materials:	PPC, Metal
Weight:	120 gr
Colors:	RAL 9005
Homologated:	ECE-R118 FMVSS 302 - CMVSS 302

Technical Features

30000129

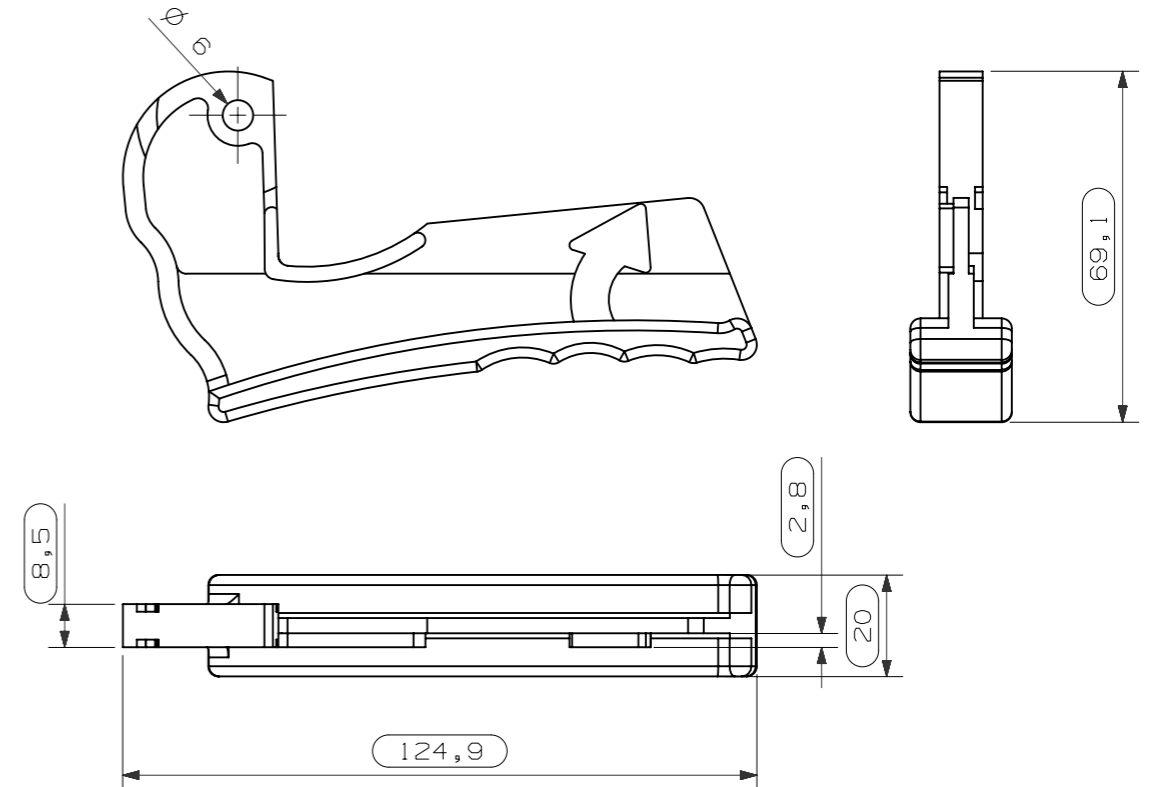
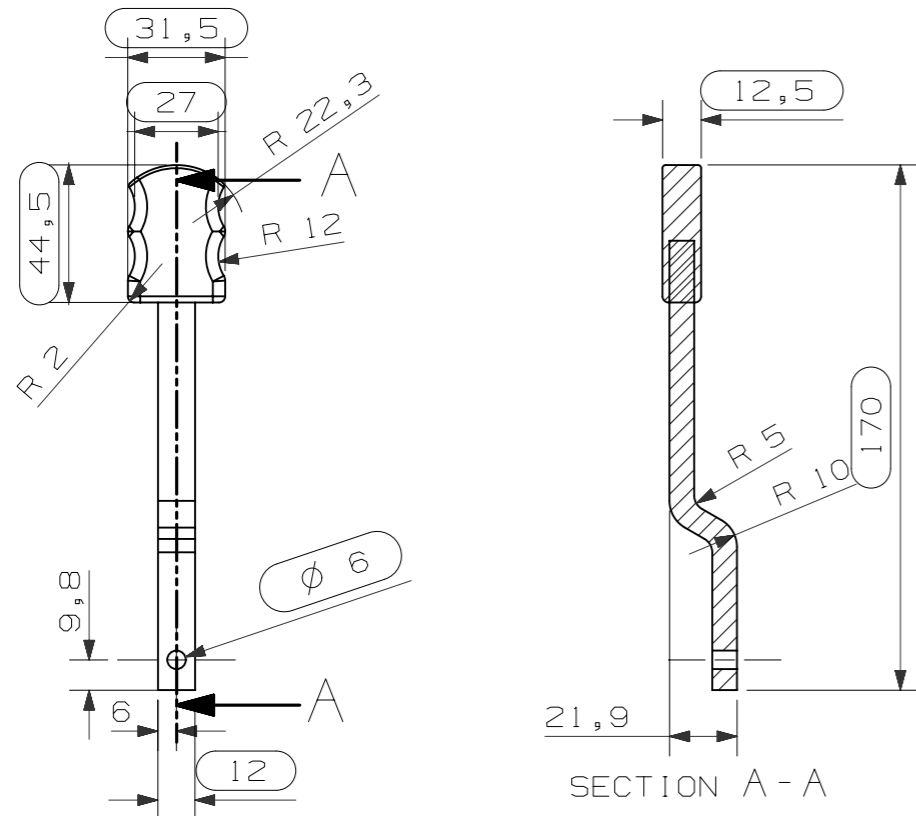


Specifications

Stock No:	30000129
Stock Name:	Plastic Recliner Lever
Materials:	PA6
Weight:	42 gr
Options:	Colors
Homologated:	ECE-R118 FMVSS 302 - CMVSS 302

Technical Features

All the plastic materials in this part are in conformity with the specifications and REACH. In design we focused on creating robust, ergonomic, innovative, compact products. The color combinations can be applied according to the customer request.



40000006

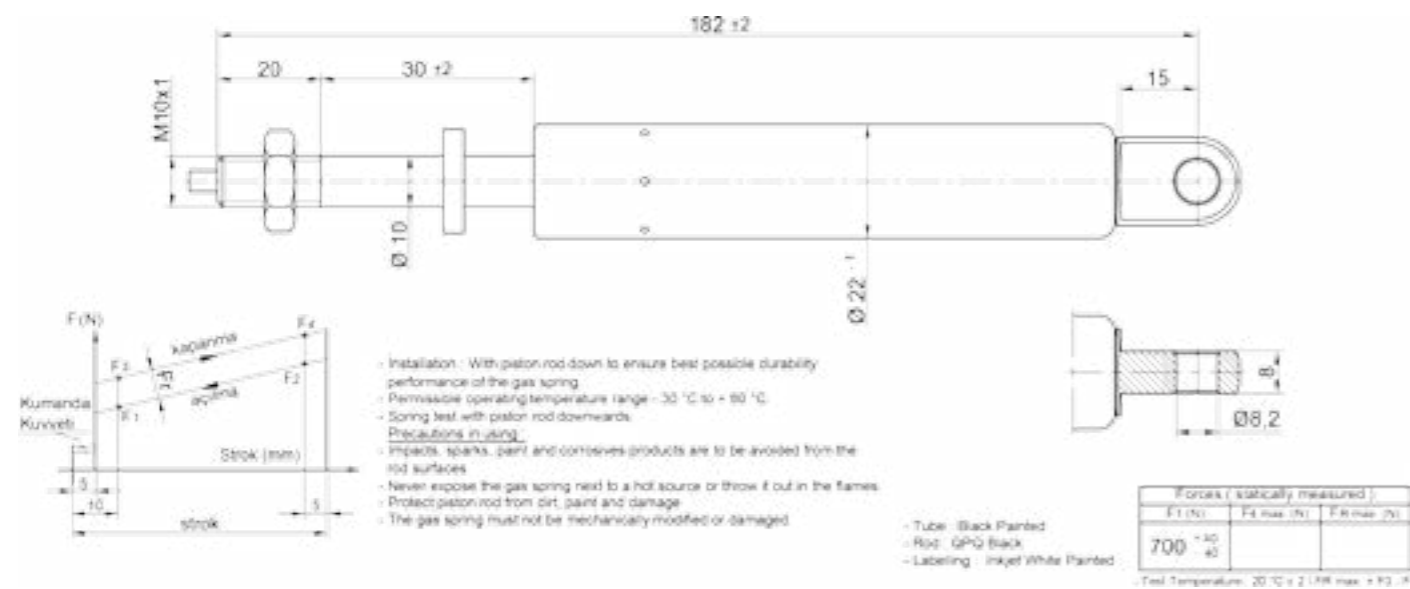


## Specifications

Stock No:	40000006
Stock Name:	Gas Spring
Materials:	Metal
Pressure (N):	Optional

### Technical Features

The gas springs have different pressures. We can supply different pressures according to the customer demands.



30000403

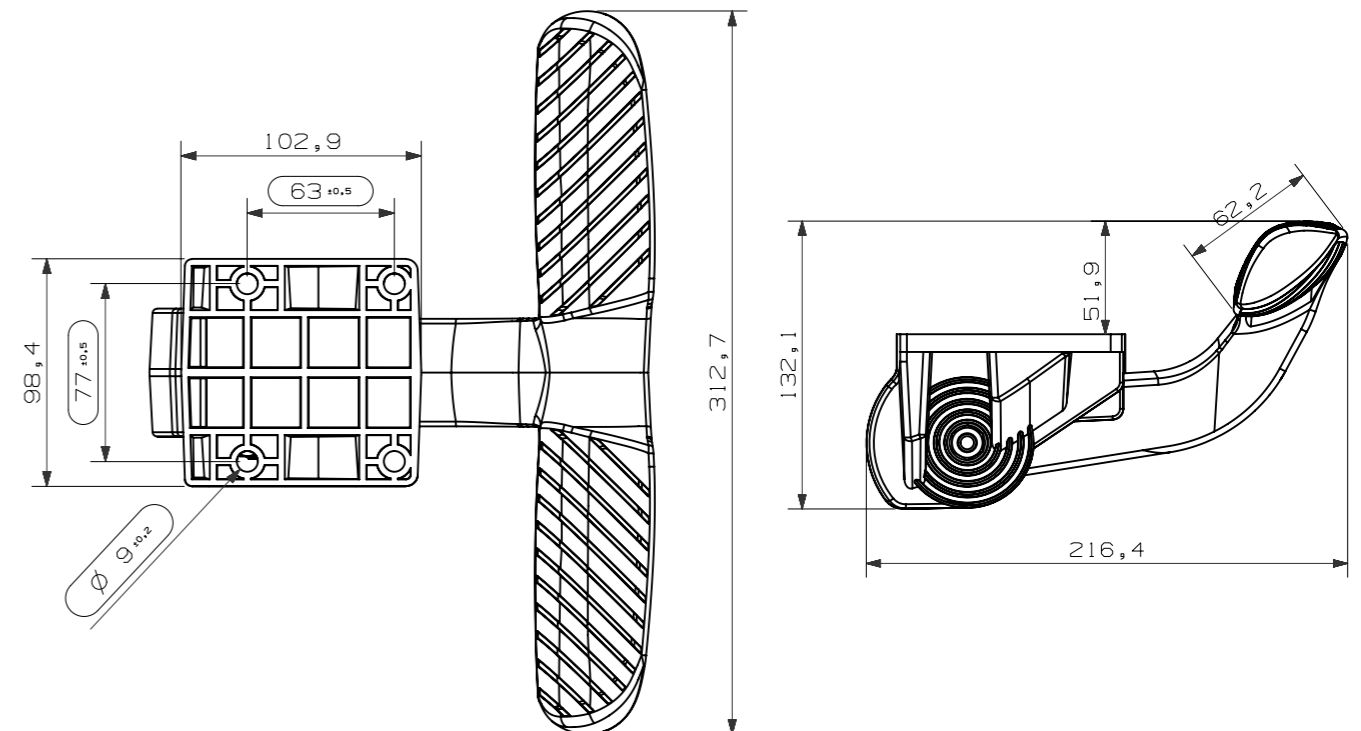


## Specifications

Stock No:	30000403
Stock Name:	Plastic Footrest 3p
Materials:	PA6 %30
Weight:	673 gr
Options:	2 or 3 Pos.; Stationary Colors
Homologated:	ECE-R118 FMVSS 302 - CMVSS 302

### Technical Features

All the plastic materials in this part are in conformity with the specifications and REACH. In design we focused on creating robust, ergonomic, innovative, compact products. The color combinations can be applied according to the customer request. All the static and fatigue test are done successfully.



30000154

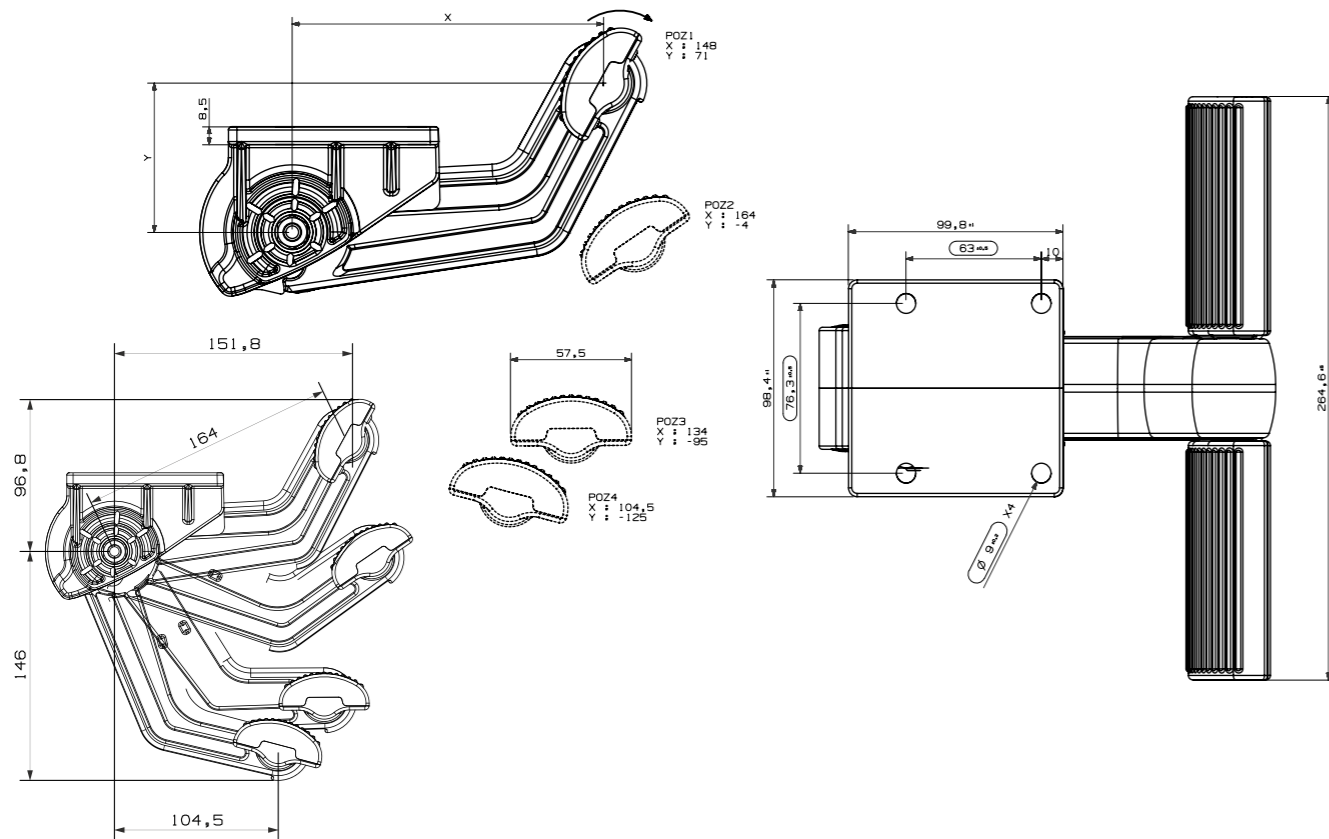


### Specifications

Stock No:	30000154
Stock Name:	Plastic Footrest
Materials:	PPH %30, PA6 %30
Weight:	890 gr
Options:	2 or 3 Pos.; Stationary Colors
Homologated:	ECE-R118 FMVSS 302 - CMVSS 302

#### Technical Features

All the plastic materials in this part are in conformity with the specifications and REACH. In design we focused on creating robust, ergonomic, innovative, compact products. The color combinations can be applied according to the customer request. All the static and fatigue test are done successfully.



40000010

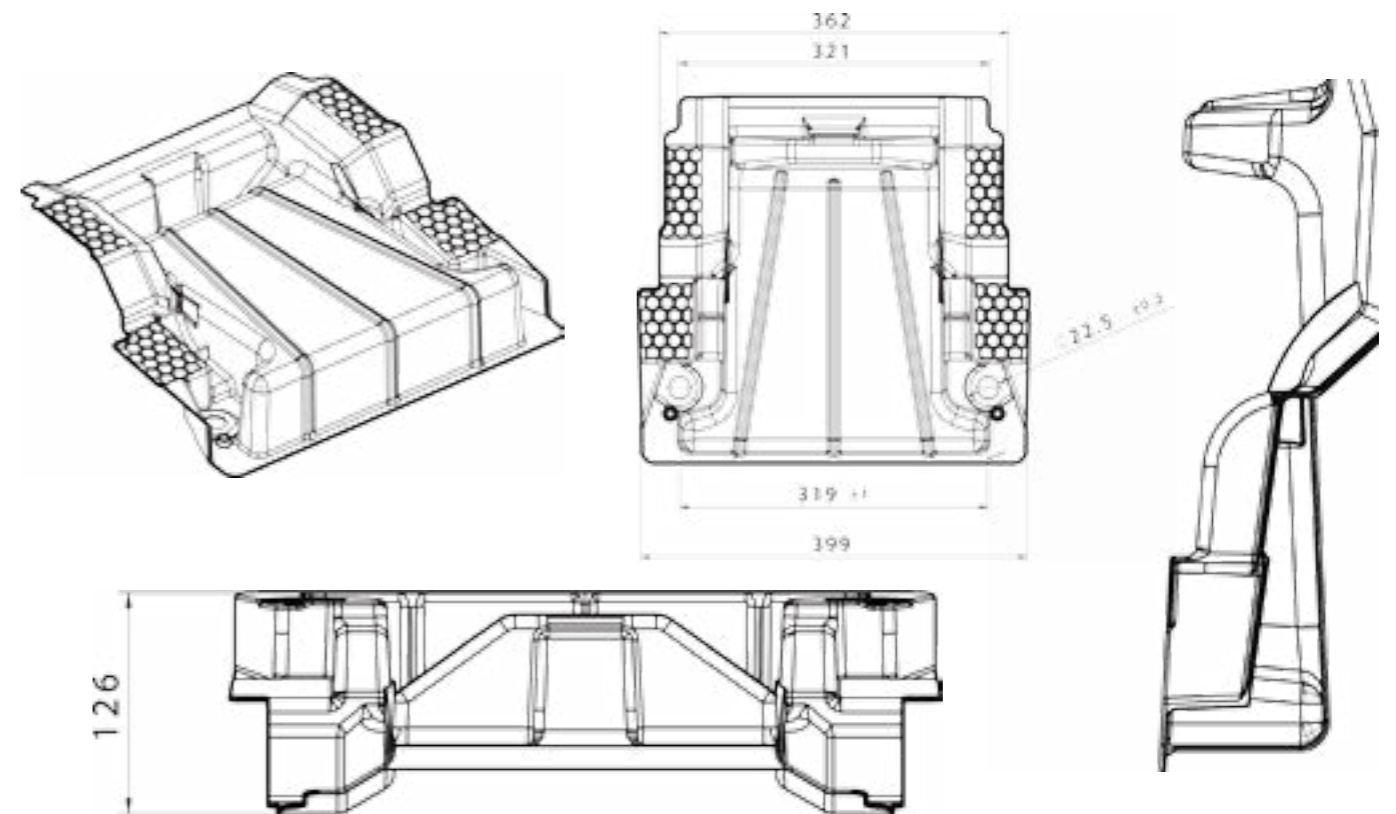


### Specifications

Stock No:	40000010
Stock Name:	Cushion Plastic
Materials:	PPC
Weight:	470 gr
Options:	Colors
Homologated:	ECE-R118 FMVSS 302 - CMVSS 302

#### Technical Features

All the plastic material in this parts are in conformity with the specifications and REACH.



30000584

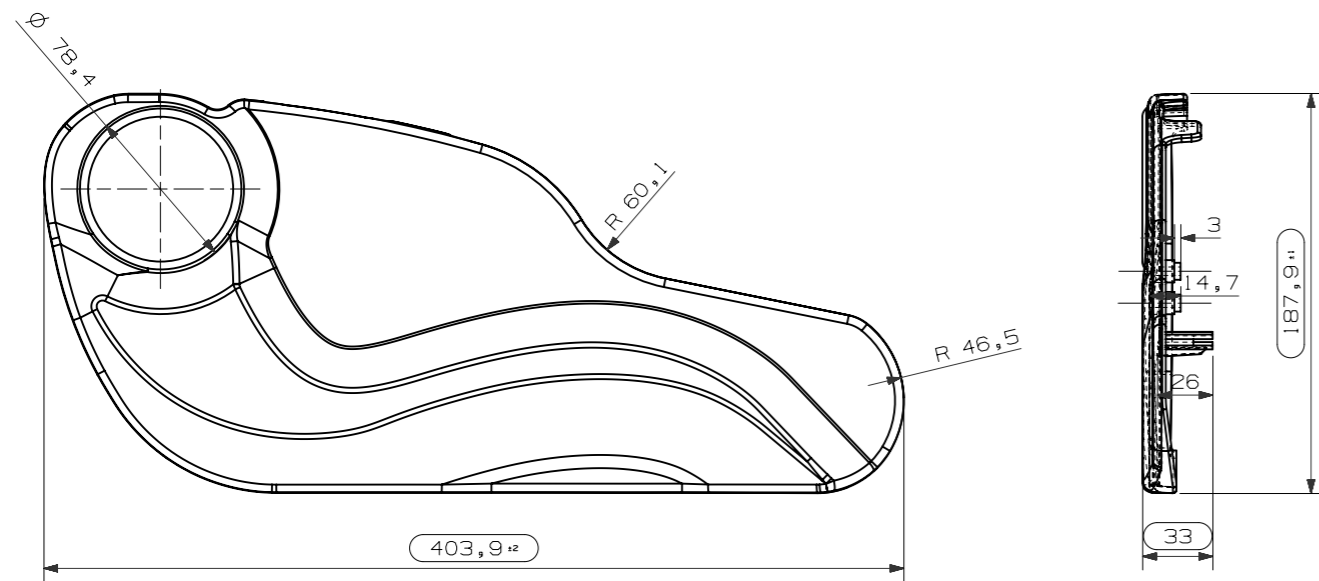


Specifications

Stock No:	30000584
Stock Name:	Window Side Plastic
Materials:	PPC
Weight:	170 gr
Options:	Colors
Homologated:	ECE-R118 FMVSS 302 - CMVSS 302

Technical Features

All the plastic materials in this part are in conformity with the specifications and REACH. In design we focused on creating robust, ergonomic, innovative, compact products. The color combinations can be applied according to the customer request.



30000238

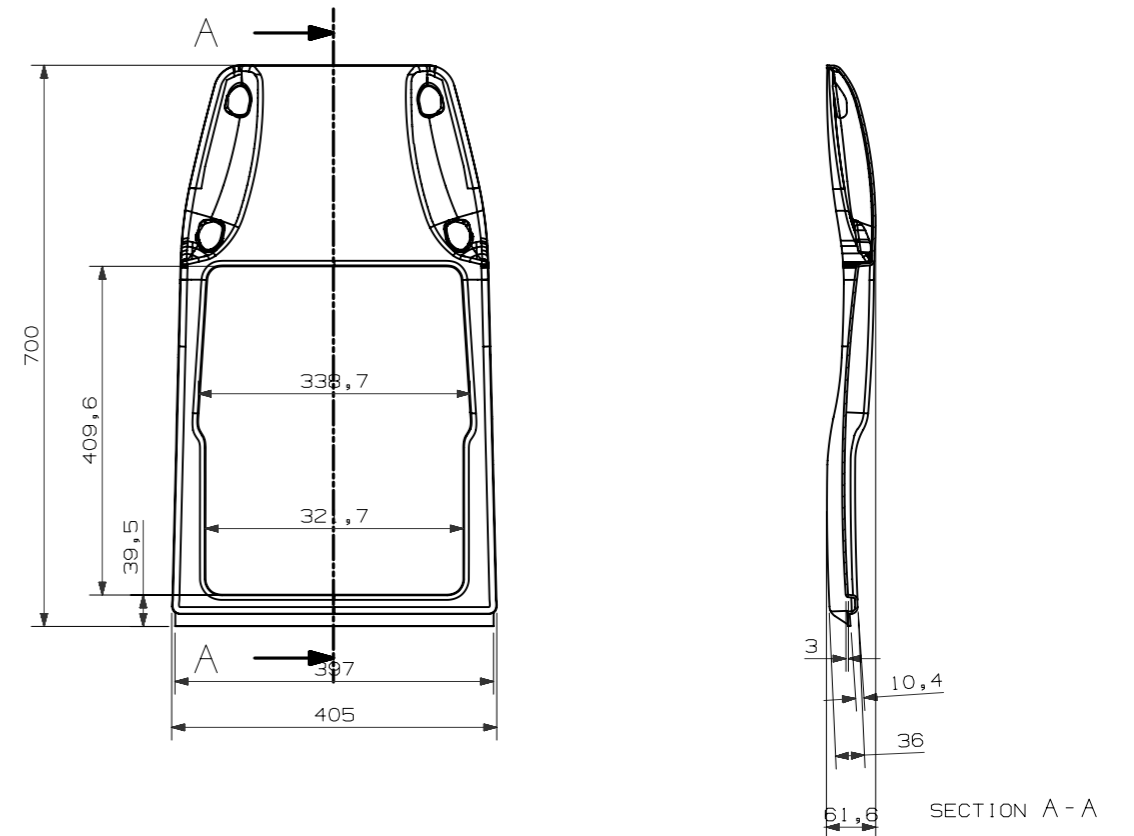


Specifications

Stock No:	30000238
Stock Name:	YKSL Backrest Plastic
Materials:	PPC
Weight:	912 gr
Options:	Colors
Homologated:	ECE-R118 FMVSS 302 - CMVSS 302

Technical Features

All the plastic materials in this part are in conformity with the specifications and REACH. In design we focused on creating robust, ergonomic, innovative, compact products. The color combinations can be applied according to the customer request.



50200026

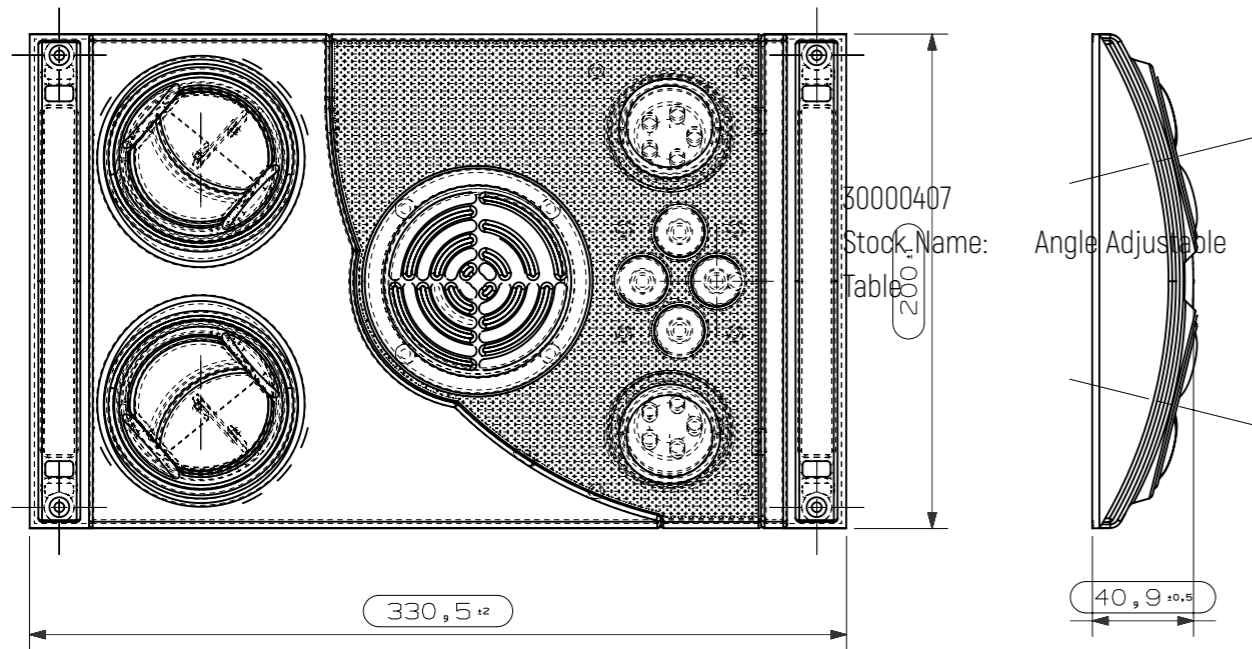


Specifications

Stock No:	50200026
Stock Name:	Service Unit
Materials:	ABS, PC
Weight:	675 gr
Options:	Colors, Speaker
Homologated:	ECE-R118 FMVSS 302 - CMVSS 302

Technical Features

All the plastic materials in this part are in conformity with the specifications and REACH. In design we focused on creating robust, ergonomic, innovative, compact products. The color combinations can be applied according to the customer desires.



30000294

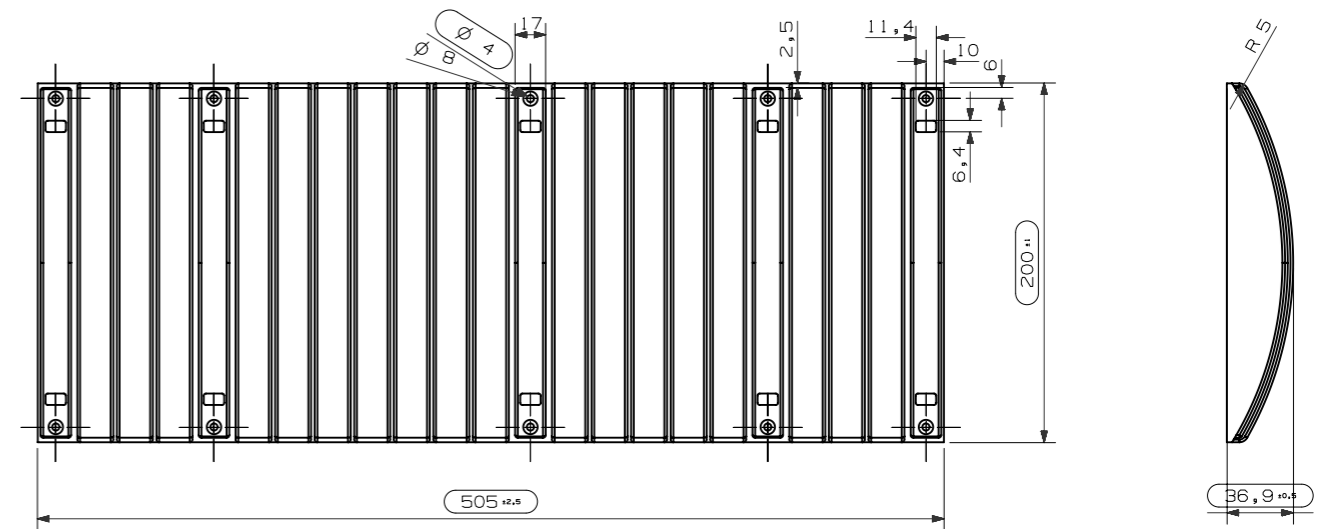


Specifications

Stock No:	30000294
Stock Name:	Service Unit Cover
Materials:	ABS
Weight:	435 gr
Options:	Colors
Homologated:	ECE-R118 FMVSS 302 - CMVSS 302

Technical Features

All the plastic materials in this part are in conformity with the specifications and REACH. In design we focused on creating robust, ergonomic, innovative, compact products. The color combinations can be applied according to the customer request.



30000240

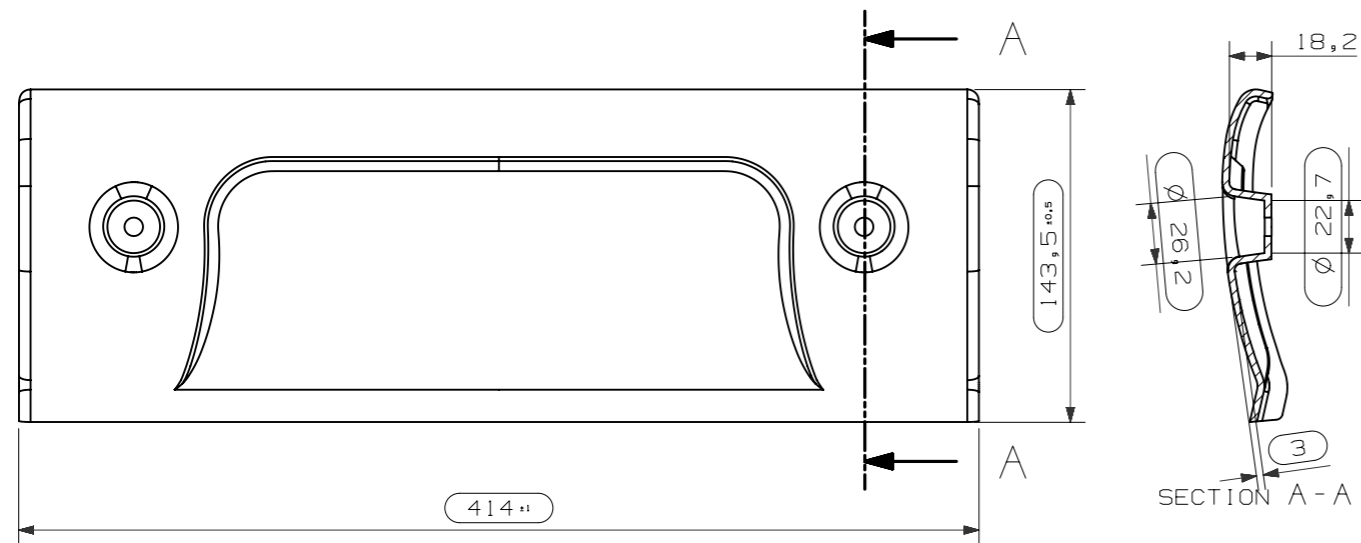


Specifications

Stock No:	30000240
Stock Name:	YKSL Bottom Plastic
Materials:	PPC
Weight:	179 gr
Options:	Colors
Homologated:	ECE-R118
	FMVSS 302 - CMVSS 302

Technical Features

All the plastic materials in this part are in conformity with the specifications and REACH. In design we focused on creating robust, ergonomic, innovative, compact products. The color combinations can be applied according to the customer request.



30000185

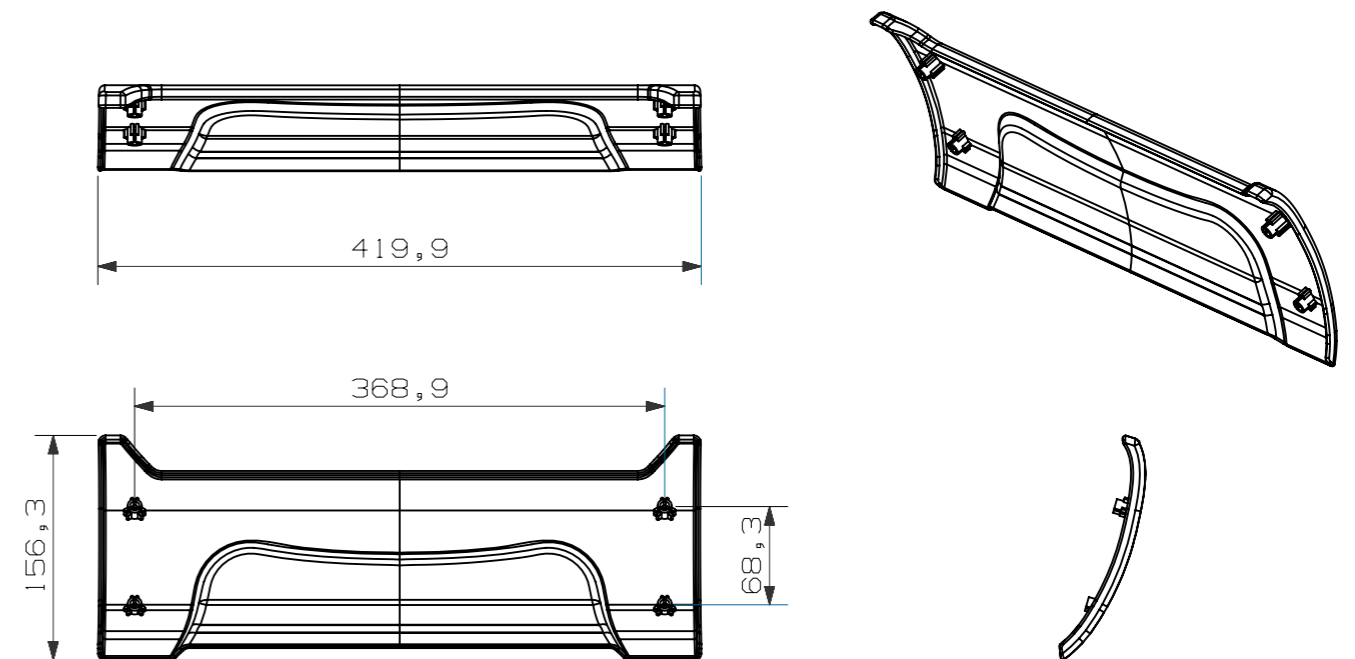


Specifications

Stock No:	30000185
Stock Name:	Soft Bottom Plastic
Materials:	PPC
Weight:	172 gr
Options:	Colors
Homologated:	ECE-R118
	FMVSS 302 - CMVSS 302

Technical Features

All the plastic materials in this part are in conformity with the specifications and REACH. In design we focused on creating robust, ergonomic, innovative, compact products. The color combinations can be applied according to the customer request.





30000044

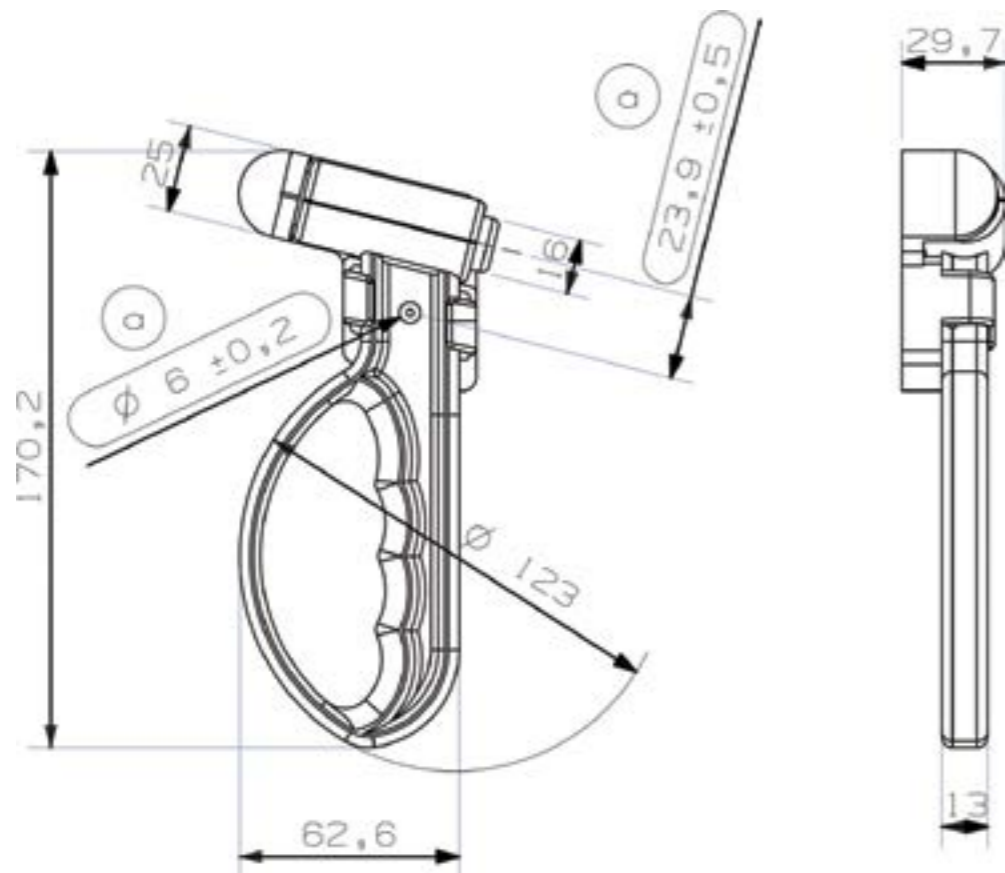


Specifications

Stock No:	30000044
Stock Name:	New Emergency Hammer
Materials:	PPC
Weight:	190 gr
Options:	Colors
Homologated:	ECE-R118 FMVSS 302 - CMVSS 302

Technical Features

All the plastic materials in this part are in conformity with the specifications and REACH. In design we focused on creating robust, ergonomic, innovative, compact products. The color combinations can be applied according to the customer request.



30000099

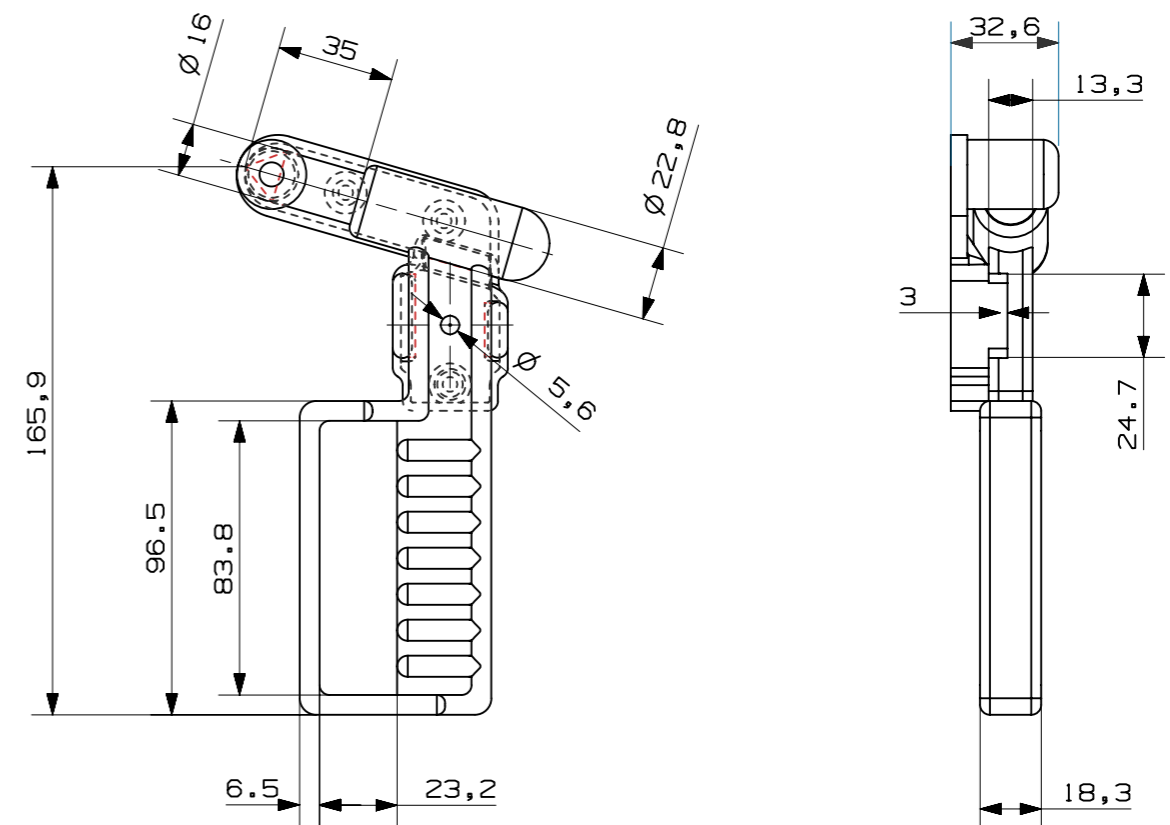


Specifications

Stock No:	30000099
Stock Name:	Classic Emergency Hammer
Materials:	PPC
Weight:	160 gr
Options:	Colors
Homologated:	ECE-R118 FMVSS 302 - CMVSS 302

Technical Features

All the plastic materials in this part are in conformity with the specifications and REACH. In design we focused on creating robust, ergonomic, innovative, compact products. The color combinations can be applied according to the customer request.



30000100

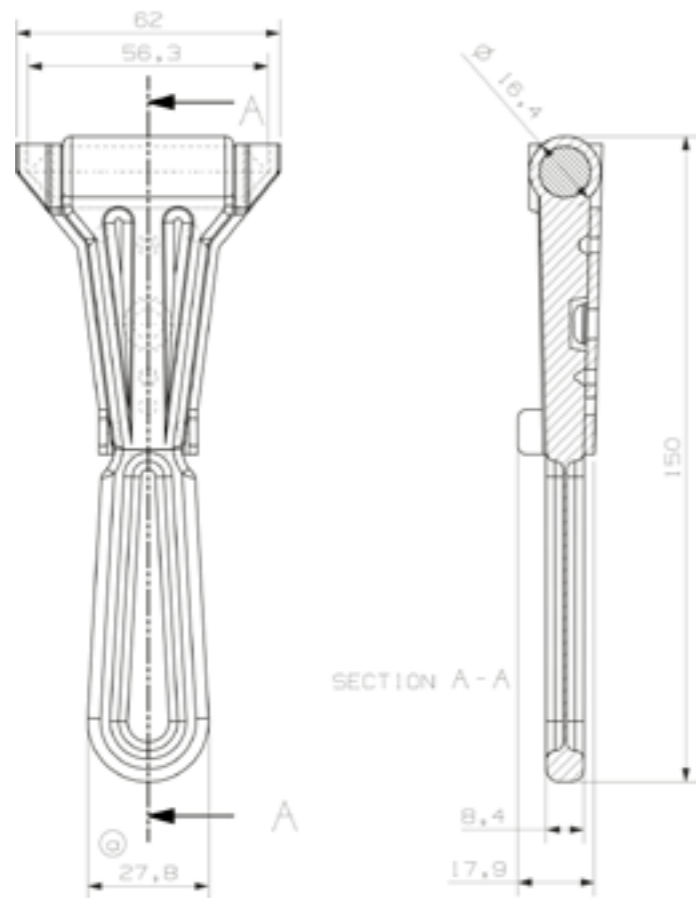


### Specifications

Stock No:	30000100
Stock Name:	Millennium Emergency Hammer
Materials:	PPC
Weight:	70 gr
Options:	Colors
Homologated:	ECE-R118 FMVSS 302 - CMVSS 302

#### Technical Features

All the plastic materials in this part are in conformity with the specifications and REACH. In design we focused on creating robust, ergonomic, innovative, compact products. The color combinations can be applied according to the customer request.



30000117

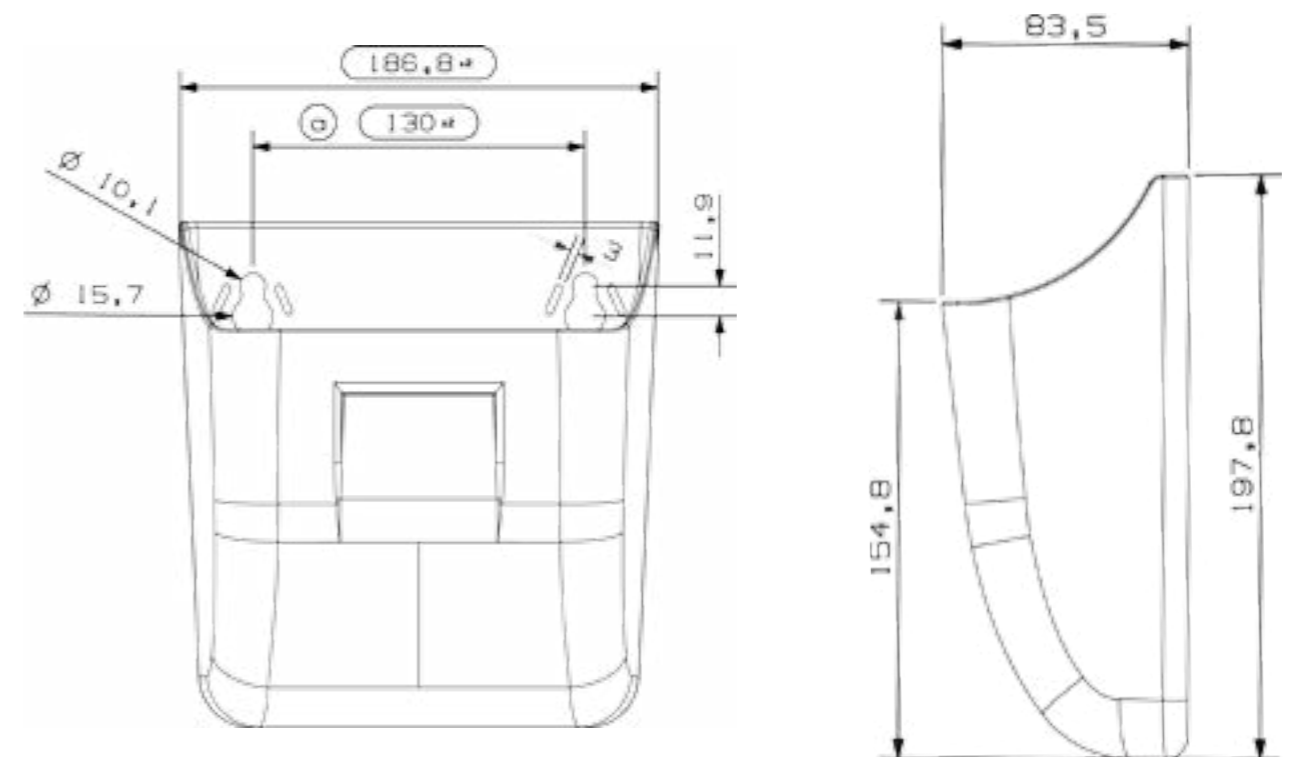


### Specifications

Stock No:	30000117
Stock Name:	Wastebin
Materials:	PPC
Weight:	285 gr
Options:	Colors
Homologated:	EN 45545 - UIC 564-2 FMVSS 302- CMVSS 302 ECE-R118

#### Technical Features

All the plastic materials in this part are in conformity with the specifications and REACH. In design we focused on creating robust, ergonomic, innovative, compact products. The color combinations can be applied according to the customer request.



60300007

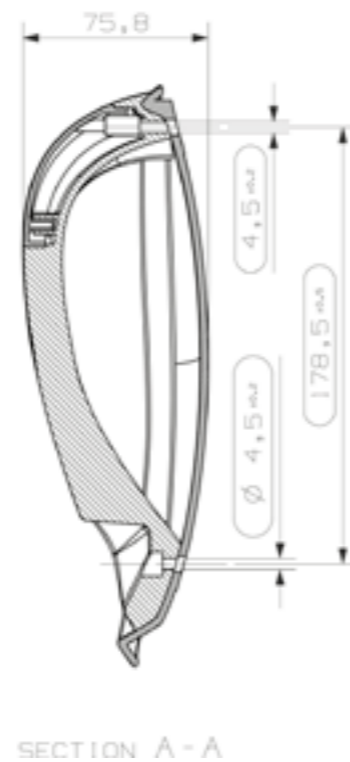
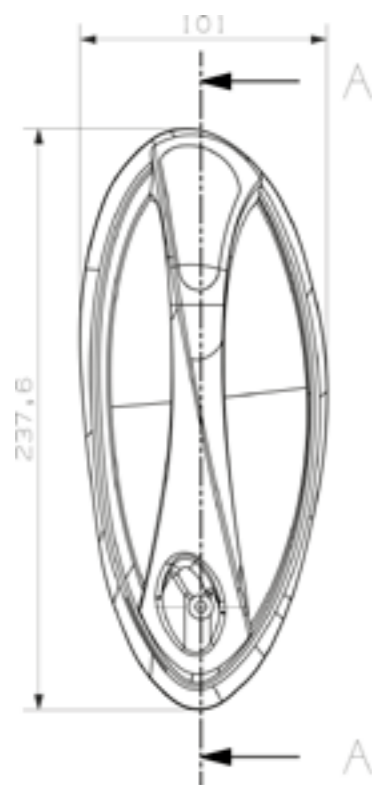


Specifications

Stock No:	60300007
Stock Name:	AKD Vip Handle
Materials:	PPC
Weight:	145 gr
Options:	Colors
Homologated:	ECE-R118
	FMVSS 302 - CMVSS 302

Technical Features

All the plastic materials in this part are in conformity with the specifications and REACH. In design we focused on creating robust, ergonomic, innovative, compact products. The color combinations can be applied according to the customer request.



30000103

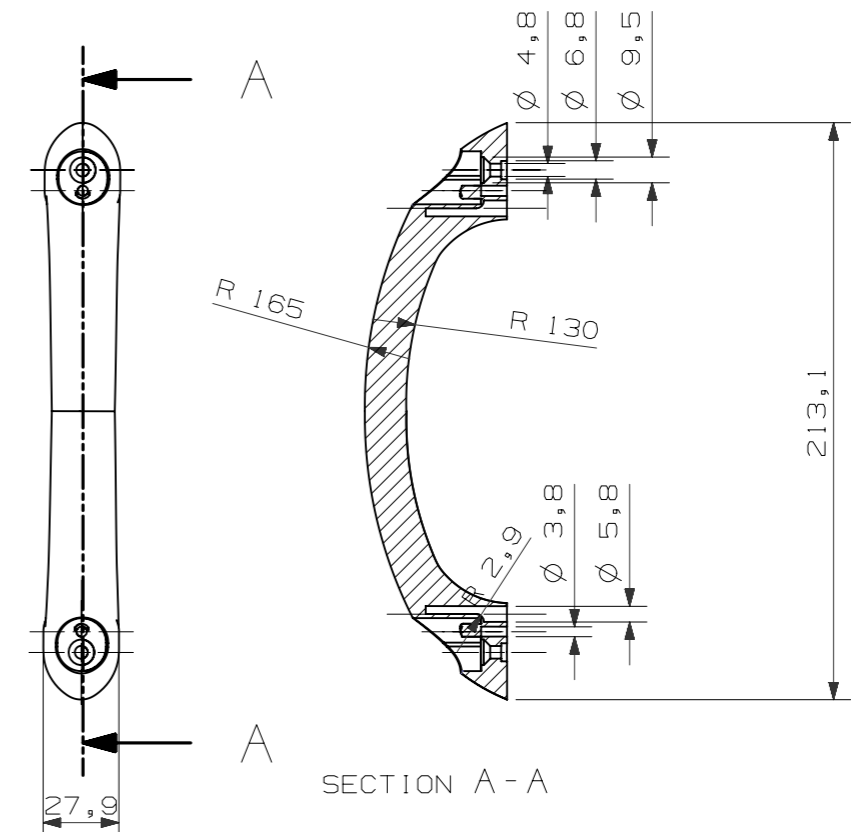


Specifications

Stock No:	30000103
Stock Name:	Grab Handle
Materials:	PPC
Weight:	70 gr
Options:	Colors
Homologated:	ECE-R118
	FMVSS 302 - CMVSS 302

Technical Features

All the plastic materials in this part are in conformity with the specifications and REACH. In design we focused on creating robust, ergonomic, innovative, compact products. The color combinations can be applied according to the customer request.



30000125

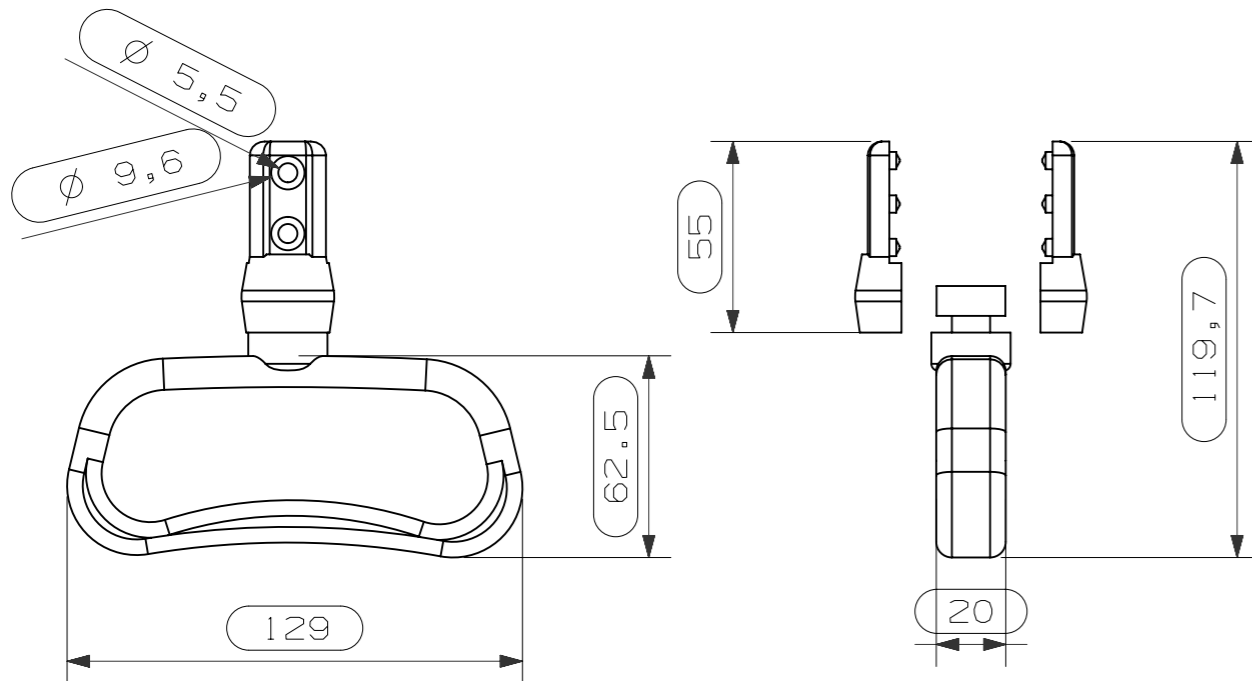


Specifications

Stock No:	30000125
Stock Name:	Citybus Grab Handle
Materials:	PPC
Weight:	90 gr
Options:	Colors
Homologated:	ECE-R118 FMVSS 302 - CMVSS 302

Technical Features

All the plastic materials in this part are in conformity with the specifications and REACH. In design we focused on creating robust, ergonomic, innovative, compact products. The color combinations can be applied according to the customer request.



30000424

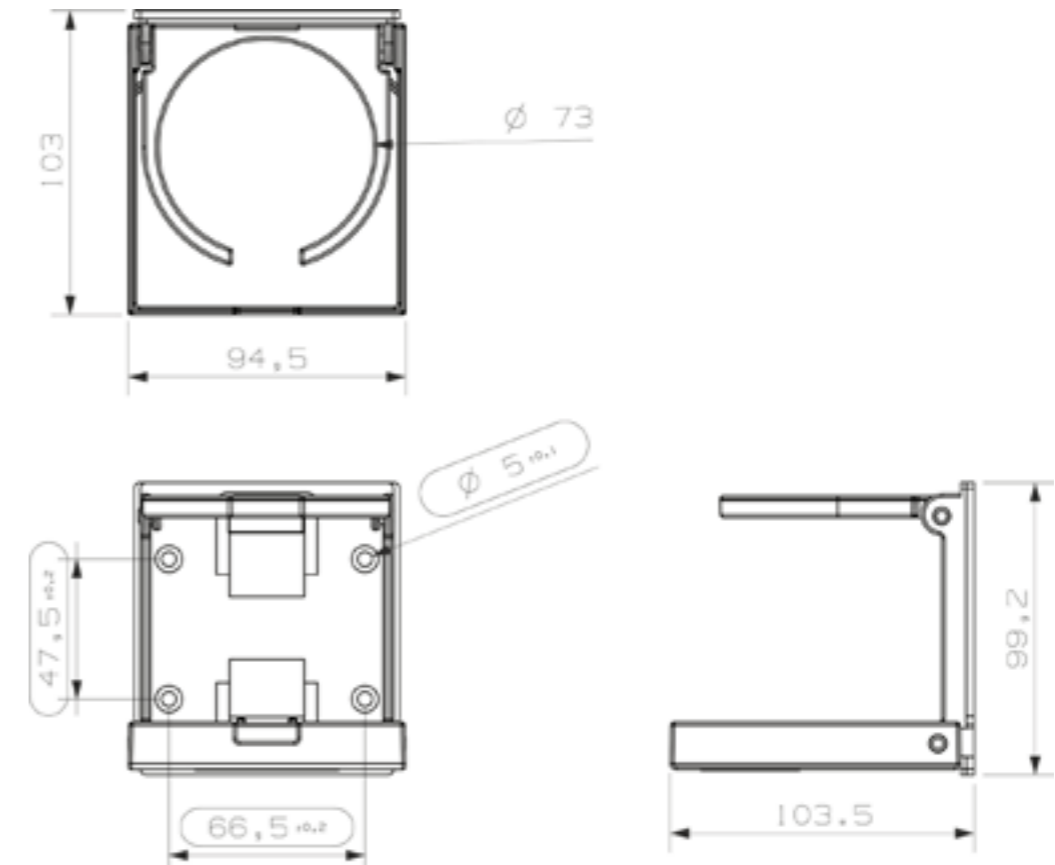


Specifications

Stock No:	30000424
Stock Name:	Cup Holder
Materials:	ABS
Weight:	85 gr
Options:	Colors, Serigraphy
Homologated:	ECE-R118 FMVSS 302 - CMVSS 302

Technical Features

All the plastic materials in this part are in conformity with the specifications and REACH. In design we focused on creating robust, ergonomic, innovative, compact products. The color combinations can be applied according to the customer request.



*We Export to All*

*Over The World*





Nosab Akasya Caddesi No:8 Nilüfer / Bursa / TURKEY  
Ph.: +90 (224) 410 00 35 (Pbx) Fax:+90 (224) 410 00 38  
[info@meyis.com.tr](mailto:info@meyis.com.tr)